



# Harrington

## STORZ CONNECT

North American AWG Distributor  
800-553-0078 • 814-838-3957  
harrinc.com • info@harrinc.com



- Hydrant Storz
- Intake Valves
- Storz Elbows
- Storz Adapters
- Gate Valves
- Ball Valves
- Siamese Valves
- Hose Rollers
- Hose Washers
- Storz Caps
- Threaded Adapters
- Flex-Lite Suction Hose
- Flange Adapters



2024 Catalog

36 Years of  
Quality & Service

**Make the Right Connection!**

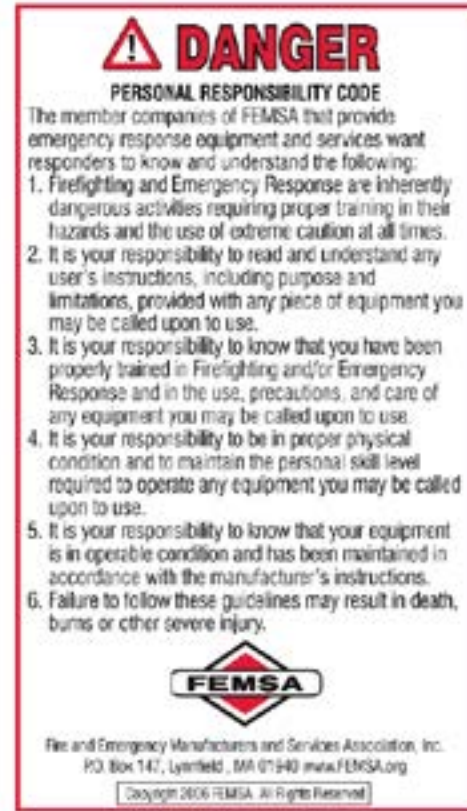




# Safety First in LDH Systems

We cannot state too emphatically the need to follow certain guidelines in using large diameter hose and appliances. You should always consider the following points when using and training with large diameter hose.

1. All Harrington Storz “heads” are forged then hard coated to military specification: Type
3. This provides maximum strength and best corrosion resistance. We do not supply cast Storz heads which can easily fracture and cause catastrophic failure.
2. Do not allow untrained personnel to operate or use large diameter hose or appliances.
3. Always inspect all connections to insure tightness, thus reducing the possibility of accidental disconnection.
4. Always open and close valves slowly, to reduce the possibility of damage or injury due to water hammer.
5. Always secure adapters, valves and other appliances with proper vehicle mounting brackets to prevent them from falling off the vehicle.
6. Clean, lubricate and perform necessary maintenance on all moving parts periodically. This is especially important for intake valves left attached to the vehicle.
7. Always store valves in the closed position when not in use.
8. Test relief valves periodically, to be sure they are relieving properly.
9. Set relief valves at a pressure 10 psi higher than your normal working pressure.
10. When performing annual hose testing, be sure to use Storz test caps and adapters which are found on page 31 of this price sheet, to prevent gasket failure.
11. These guidelines/instructions may not answer or address all questions. If you have any questions or need additional information, call us at 1-800-553-0078.
12. We use “Lubriplate SFL-1” for the metal to metal surfaces. It is extremely effective. More so than anything else.



# Table of Contents

<b>Intake Valves</b>	4	HSFR - Storz x Female BSP	41
H500 - Standard Piston Intake w/ Relief Valve	4	<b>Storz Accessories</b>	<b>42</b>
<b>Ball Intake Valve</b>	<b>6</b>	HSAS - Storz Adapter Screens	42
H1000 - Ball Intake Valves	6	HBC - Storz Blind Caps	42
Miscellaneous Parts	7	HTPB-US - 3 Lug Storz Couplings	43
<b>Distributor Ball Valves</b>	<b>7</b>	HVC - Harrington “V-Groove” Shank Couplings	43
H200 - Standard 2-Way Ball Valves (LDH Wye)		British Instantaneous Fittings	43
H201 - Medium 2-Way Ball Valves (Leader Line Wye)	9	HMLC - MultiLug Coupling with three part binding.	44
H201F - Small 2-Way Ball Valves	9	HMLA - MultiLug Adapters and Caps	44
H202 - Mid Size 2-Way Ball Valves (Leader Line Wye)	10	HMLBC - Adapters MultiLug x BSP Female	44
H300 - 3-Way Ball Valves (LDH Wye)	10	H37- Female Rocker Lug w/Bleeder Valve	44
H301 - Small 3-Way Ball Valves (Water Thief)	12	<b>Mounting Brackets</b>	<b>44</b>
H301 - 3-Way Manifolds	12	HSMB - Storz Mounting Brackets	44
H400 - 5-Way Manifolds	13	HPM - Post Mount for Manifolds & Hydrant Valves	45
H600 - Super Flow 2-Way Ball Valves	15	HTMB - Threaded Mounting Brackets	45
<b>Hydrant Valves</b>	<b>15</b>	HSSW - Spanner Wrenches	46
H700 - LDH Hydrant Valves (Hydrassist)	15	HHR - Hose Rollers	47
HHBV - Hydrant Ball Valves	16	HHW - Hose Washers	47
HHGV - Hydrant Gate Valves	17	HWS - Water Shields	47
<b>Standard Gate Valves</b>	<b>17</b>	Haz Mat Reducer	47
H800 - 4” Straight Gate Valves	17	Storz Seals and Thread Gaskets	48
H810 - 25° Elbow 4” Gate Valves with PRV	19	<b>Threaded Adapters</b>	<b>49</b>
H811 - 25° Elbow 4” Gate Valves	20	H35 - Female Swivel RL x Female Swivel RL	49
Super Flow 6” Gate Valves	21	H36 - Double Male Rocker Lug Adapters	50
H860 - Super Flow Straight 6” Gate Valves	21	H37 - Male x Female Rigid Rocker Lug Adapters	51
H861 - 25° Elbow 6” Gate Valves	22	H53 - Female Swivel RL x Female Rigid	52
<b>Siamese Valves</b>	<b>22</b>	H53L - Female Swivel LH x Female Rigid	53
HJ20 - Jumbo Siamese - Double Clappered	22	H54 - Male x Female Swivel Rocker Lug	54
H220 - 2-Way Siamese	23	H54L - Male x Female Swivel Long Handle	55
H330 - 3-Way Siamese	24	H56L - NH Male x Female Rigid Long Handle	56
H440 - 4-Way Siamese	24	H57L - Female Swivel LH x Female Swivel LH	57
<b>H30E - 30° Storz Elbow Adapters</b>	<b>25</b>	HTBC - Threaded Blind Caps	58
H30E - Storz x Female Swivel Rocker Lug	25	HTP - Harrington Threaded Plugs	58
H30E - Storz x Female Swivel Long Handle	28	<b>Butterfly Valves</b>	<b>59</b>
H30E - Storz x Storz Swivel	28	<b>Drafting Equipment</b>	<b>60</b>
<b>Storz Hydrant Adapters</b>	<b>29</b>	PVC Suction Hose	60
HPHA - Storz Permanent Hydrant Adapters with Cap	29	90 Degree Suction Elbow	61
HIHS - Storz Integral Hydrant Nozzle with Cap	30	<b>Suction Strainers</b>	<b>61</b>
<b>Storz Straight Adapters</b>	<b>31</b>	HTBS - Barrel Strainers - Female Rigid	61
HSFS - Storz x Female Swivel Rocker Lug	31	HWMB- Harrington Basket Strainer/Diffuser	61
HSFS - Storz x Female Swivel Long Handle	32	HTLLS - Low Level Strainers w/ Jet Siphon	62
HSFR - Storz x Female Rigid	34	HTFBS - Floating Barrel Strainers	62
HSMR - Storz x Male Rigid	36	HHSN - Wildland Nozzles	62
<b>Flange Storz Adapters</b>	<b>39</b>	<b>Foam Equipment</b>	<b>63</b>
HFL-Flange x Storz Adapters	39	HFI - Foam Eductors	63
<b>Flange NH Male Adapters</b>	<b>40</b>	HHFN - Heavy (low expansion)Foam Nozzles	64
HFL - Threaded Flange Adapters	40	HMFN - Medium Expansion Foam Nozzle	64
HSTS - Storz x Storz	41		

## Key

RL	Rocker Lug	NPT	National Pipe Thread
LH	Long Handle	QST	Quebec Standard Thread
NH	National Hose Thread	BI	British Instantaneous
NPSH	National Pipe Straight Hose Thread	PRV	Pressure Relief Valve

Please note raw material shortages are causing longer than normal lead times on most items. We reserve the right to change prices without notice.



# Intake Valves



## Standard Piston Intake w/ Relief Valve

Traditional piston intake valve design used for pumper intake control. Provides the following features: a 45 degree integrated elbow, incorporated 250 PSI field adjustable pressure relief valve adjustable in increments of 25 PSI from 75-250 PSI, and an air bleeder valve. There is a stainless steel piston, sleeve and spindle for added corrosion protection. Choose from a variety of sizes of Storz or NH connections. 5 year warranty against failure due to corrosion.

**Dimensions: Extension: 10.5" Width: 8" Height: 17" Weight: 27 lbs**  
Friction loss at 1,000 GPM is 2.30 PSI

## H500S- Piston Intake Valve

5" Stainless Steel PIRV	H500S	List
H500S-40-45NH	4" Storz lock inlet x 4.5" NH female swivel rocker lug outlet w/ 250-S RV	\$3,017.00
H500S-40-50NH	4" Storz lock inlet x 5" NH female swivel rocker lug outlet w/ 250-S RV	\$2,975.00
H500S-40-60NH	4" Storz lock inlet x 6" NH female swivel short handle outlet w/ 250-S RV	\$2,976.00
H500S-40NHFS-60NH	4" NH Female Swivel inlet x 6" NH female swivel short handle outlet w/ 250-S RV	\$2,938.00
H500S-40NHM-60NH	4" NH Male inlet x 6" NH female swivel short handle outlet w/ 250-S RV	\$2,796.00
H500S-50-45NH	5" Storz lock inlet x 4.5" NH female swivel rocker lug outlet w/ 250-S RV	\$2,962.00
H500S-50-45NH/FTS	5" Storz lock full time swivel inlet x 4.5" NH female swivel rocker lug outlet w/ 250-S RV	\$3,310.00
H500S-50-50NH	5" Storz lock inlet x 5" NH female swivel rocker lug outlet w/ 250-S RV	\$2,919.00
H500S-50-50NH/FTS	5" Storz lock full time swivel inlet x 5" NH female swivel rocker lug outlet w/ 250-S RV	\$3,268.00
H500S-50-60NH	5" Storz lock inlet x 6" NH female swivel short handle outlet w/ 250-S RV	\$2,919.00
H500S-50-60NH/FTS	5" Storz lock full time swivel inlet x 6" NH female swivel short handle outlet w/ 250-S RV	\$3,269.00
H500S-50-60NPSH	5" Storz lock inlet x 6" NPSH rocker lug female swivel outlet w/ 250-S RV	\$2,919.00
H500S-50NHM-60NH	5" NH male inlet x 6" NH female swivel short handle outlet w/ 250-S RV	\$3,269.00
H500S-60-45NH	6" Storz lock inlet x 4.5" NH female swivel rocker lug outlet w/ 250-S RV	\$3,147.00
H500S-60-50NH	6" Storz lock inlet x 5" NH female swivel rocker lug outlet w/ 250-S RV	\$3,086.00
H500S-60-60NH	6" Storz lock inlet x 6" NH female swivel short handle outlet w/ 250-S RV	\$3,115.00
H500S-60NHFS-60NH	6" NH rocker lug female swivel inlet x 6" NH female swivel short handle outlet w/ 250-S RV	\$3,040.00
H500S-60NHM-60NH	6" NH male inlet x 6" NH female swivel short handle outlet w/ 250-S RV	\$2,931.00

**5 Year Corrosion  
Warranty \***

\* 5 year warranty against failure due to corrosion.

Special Threads available on request, cost as follows: Allow 4-5 weeks for special threads.

- All Special threads - \$15.00 net, each
- 1" to 3.5" NPT Threads - No Charge
- 4" and up NPT Threads - \$15.00 net, each



# Harrington, Inc.

Intake valves with quick delivery



## Now with 5 Year Warranty against failure due to corrosion



### H1000 Ball Intake Valve

- High Flow/Low Friction Loss.
- Easy Open/Close with Visual Ball Position Indicator.
- Handwheel Can Be Mounted On Left or Right Side.
- Full Flow Ball Design.
- Field Adjustable Pressure Relief Valve.



### H500 Piston Intake Valve

- Smooth Open/Close.
- Integrated 45 Degree Elbow.
- Stainless Steel Piston, Sleeve And Spindle For Corrosion Resistance.
- Integrated Air Bleeder.
- Field Adjustable Pressure Relief Valve.

## MAKE THE RIGHT CONNECTION!

2630 West 21st Street. Erie, PA 16506 · 800.553.0078  
harrinc.com · info@harrinc.com · hydrantstorz.com





## Ball Intake Valve

A low profile, 12" depth ball intake valve designed for pumper intake control. Valve meets 900 PSI Hydrostatic strength test. Utilizes full flow ball valve design, and has an easy to see visual indicator of ball position. Includes a 3/4" air bleeder valve, an integrated 25 degree elbow, and incorporated 250 PSI field adjustable pressure relief valve adjustable in increments of 25 PSI from 75-250 PSI. Handle can be mounted on right or left side of valve. Choose from a variety of sizes of Storz or NH connections. 5 year warranty against failure due to corrosion.

**Dimensions: Extension: 12" Width: 8" Height: 16" Weight: 34 lbs**  
**Friction loss at 1000 GPM: 0.1 PSI.**

**5 Year Corrosion  
Warranty \***

### H1000 - Ball Intake Valves

H1000 - Ball Intake Valves	H1000	List
H1000-40-45NH	4" Storz lock inlet x 4.5" NH female swivel rocker lug outlet w/ 250-S RV	\$3,610.00
H1000-40-50NH	4" Storz lock inlet x 5" NH female swivel rocker lug outlet w/ 250-S RV	\$3,568.00
H1000-40-60NH	4" Storz lock inlet x 6" NH female swivel short handle outlet w/ 250-S RV	\$3,570.00
H1000-40NHFS-60NH	4" NH rocker lug female swivel inlet x 6" NH female swivel short handle outlet w/ 250-S RV	\$3,531.00
H1000-40NHM-60NH	4" NH male inlet x 6" NH female swivel short handle outlet w/ 250-S RV	\$3,389.00
H1000-45NHM-45NH	4.5" NH male inlet x 4.5" NH female swivel short handle outlet w/ 250-S RV	\$3,408.00
H1000-45NHFS-60NH	4.5" NH female swivel inlet x 6" NH female swivel short handle outlet w/ 250-S RV	\$3,541.00
H1000-45NHM-60NH	4.5" NH male inlet x 6" NH female swivel short handle outlet w/ 250-S RV	\$3,408.00
H1000-50-45NH	5" Storz lock inlet x 4.5" NH female swivel short handle outlet w/ 250-S RV	\$3,555.00
H1000-50-45NH/FTS	5" Storz lock full time swivel inlet x 4.5" NH female swivel short handle outlet w/ 250-S RV	\$3,905.00
H1000-50-50NH	5" Storz lock inlet x 5" NH female swivel short handle outlet w/ 250-S RV	\$3,511.00
H1000-50-50NH/FTS	5" Storz lock full time swivel inlet x 5" NH female swivel short handle outlet w/ 250-S RV	\$3,861.00
H1000-50-50NPSH	5" Storz lock inlet x 5" NPSH female swivel rocker lug outlet w/ 250-S RV	\$3,511.00
H1000-50NHFS-50NH	5" NH female swivel inlet x 5" NH female swivel short handle outlet w/ 250-S RV	\$3,544.00
H1000-50NHM-50NH	5" NH male inlet x 5" NH female swivel short handle outlet w/ 250-S RV	\$3,410.00
H1000-50-60FF/ NORV/CAP	Ball intake valve 5" w/ 5" NH male inlet x 6" Flat Face Flange outlet w/ Cap and No Relief Vavle	\$3,741.00
H1000-50-60NH	5" Storz lock inlet x 6" NH female swivel short handle outlet w/ 250-S RV	\$3,512.00
H1000-50-60NH/FTS	5" Storz lock full time swivel inlet x 6" NH female swivel short handle outlet w/ 250-S RV	\$3,862.00
H1000-50NHFS-60NH	5" NH female swivel inlet x 6" NH female swivel short handle outlet w/ 250-S RV	\$3,544.00
H1000-50NHM-60NH	5" NH male inlet x 6" NH female swivel short handle outlet w/ 250-S RV	\$3,411.00
H1000-60-45NH	6" Storz lock inlet x 4.5" NH female swivel rocker lug outlet w/ 250-S RV	\$3,749.00
H1000-60-50NH	6" Storz lock inlet x 5" NH female swivel rocker lug outlet w/ 250-S RV	\$3,708.00
H1000-60-60NH	6" Storz lock inlet x 6" NH female swivel short handle outlet w/ 250-S RV	\$3,708.00
H1000-60NHFS-60NH	6" NH female swivel inlet x 6" NH female swivel short handle outlet w/ 250-S RV	\$3,634.00
H1000-60NHM-60NH	6" NH male inlet x 6" NH female swivel short handle outlet w/ 250-S RV	\$3,424.00
H1000-60NHM-60FF/ NORV/CAP	Ball intake valve 5" w/6" NH male inlet x 6" Flat Face Flange outlet w/ Cap and No Relief Vavle	\$3,841.00

\* 5 year warranty  
against failure due  
to corrosion.

**Please note raw material shortages are causing longer than normal lead times on most items. We reserve the right to change prices without notice.**



### Miscellaneous Parts

Miscellaneous Parts		List
AWG30291233	Handwheel with fold-down knob	\$286.00
HRV-250-S	Pressure relief valve 75-250 PSI charcoal gray	\$596.00
HABV	Ball valve 0.75" BSP male x 0.75" BSP female (bleeder valve) [3/4"]	\$53.00
HABS	0.75" screw down bleeder valve NPT	\$114.00
HILBV-40-40ST	4" Storz x 4" Storz in-line bleeder valve 3/4"	\$866.00
HILBV-50-50ST	5" Storz x 5" Storz in-line bleeder valve 3/4"	\$820.00
HSLA-RED	Storz Lock Assembly Kit for 4", 5" and 6" Storz	\$36.00
Cable-RKIT	stainless steel cable for caps, reflective, 20" long with crimping connectors	\$10.00
HPG-100-H	0-300 psi Glycerine Filled Pressure Gauge (Harrington)	\$78.00
HLG-15NH-15NH	1.5" NH male x 1.5" NH female swivel rocker lug Luminescent Line Gauge w/ 0-300 psi gauge	\$437.00
HLG-15-xxx-15-xxx	1.5" special thread male x 1.5" special female swivel rocker lug	\$651.00
HLG-25NH-25NH	2.5" NH male x 2.5" NH female swivel rocker lug	\$462.00
HLG-25-xxx-25-xxx	2.5" special thread male x 2.5" special thread female swivel rocker lug	\$721.00



## Distributor Ball Valves

### H200 - Standard 2-Way Ball Valves (LDH Wye)

Mid-Size 2 way LDH ball valve for feeding two lines with one large line. A light weight valve with powder coating for lasting finish. Hard anodized balls with stainless steel tappets for corrosion resistance. The design permits feed from either direction. Choose from a variety of sizes of Storz or NST connections.

**Dimensions: Length: 10.5" Width: 9" Height: 10" Weight: 14 lbs**

Distributor Ball Valves	H200	List
H200 - Standard 2-Way Ball Valves		
H200-25NHFS-25NHM	2-way ball valve 2.5" NH female swivel rocker lug x (2) 2.5" NH male (LDH Wye)	\$888.00
H200-40-25NH	2-way ball valve 4" Storz lock x (2) 2.5" NH male (LDH Wye)	\$915.00
H200-40-25NHFS	2-way ball valve 4" Storz lock x (2) 2.5" NH female swivel rocker lug (LDH Wye)	\$1,087.00
H200-40NHFS-25NHM	2-way ball valve 4" NH female swivel rocker lug x (2) 2.5" NH male (LDH Wye)	\$974.00
H200-40NHFS-25NHFS	2-way ball valve 4" NH female swivel rocker lug x (2) 2.5" NH female swivel rocker lug (LDH Wye)	\$1,147.00
H200-40NPTF-25NHM	2-way ball valve 4" NPT female rigid x (2) 2.5" NH male (LDH Wye)	\$866.00





H200-40NPTF-25NHFS	2-way ball valve 4" NPT female rigid x (2) 2.5" NH female swivel rocker lug (LDH Wye)	\$1,038.00
H200-40-25ST	2-way ball valve 4" Storz lock x (2) 2.5" Storz (LDH Wye)	\$974.00
H200-40-30ST	2-way ball valve 4" Storz lock x (2) 3" Storz (LDH Wye)	\$964.00
H200-45NHFS-25NH	2-way ball valve 4.5" NH female swivel rocker lug x (2) 2.5" NH male (LDH Wye)	\$954.00
H200-45NHFS-25NHFS	2-way ball valve 4.5" NH female swivel rocker lug x (2) 2.5" NH female swivel rocker lug (LDH Wye)	\$1,127.00
H200-50-25NH	2-way ball valve 5" Storz lock x (2) 2.5" NH male (LDH Wye)	\$1,060.00
H200-50-25NH/FTS	2-way ball valve 5" Storz lock Full Time Swivel x (2) 2.5" NH male	\$1,487.00
H200-50-25NHFS	2-way ball valve 5" Storz lock x (2) 2.5" NH female swivel rocker lug (LDH Wye)	\$1,232.00
H200-50-25NHFS/FTS	2-way ball valve 5" Storz lock Full Time Swivel x (2) 2.5" NH female swivel rocker lug (LDH Wye)	\$1,487.00
H200-50NHFS-25NHM	2-way ball valve 5" NH female swivel rocker lug x (2) 2.5" NH male (LDH Wye)	\$1,016.00
H200-50NHFS-25NHFS	2-way ball valve 5" NH female swivel rocker lug x (2) 2.5" NH female swivel rocker lug (LDH Wye)	\$1,189.00
H200-50-25ST	2-way ball valve 5" Storz lock x (2) 2.5" Storz (LDH Wye)	\$1,119.00
H200-50-30NHM	2-way ball valve 5" Storz lock x (2) 3" NH male (LDH Wye)	\$1,250.00
H200-50-30NHFS	2-way ball valve 5" Storz lock x (2) 3" NH female swivel rocker lug (LDH Wye)	\$1,399.00
H200-50-30ST	2-way ball valve 5" Storz lock x (2) 3" Storz (LDH Wye)	\$1,109.00
H200-60-25NH	2-way ball valve 6" Storz lock x (2) 2.5" NH male (LDH Wye)	\$1,117.00
H200-60-25ST	2-way ball valve 6" Storz lock x (2) 2.5" Storz (LDH Wye)	\$1,123.00
H200-60-25NHFS	2-way ball valve 6" Storz lock x (2) 2.5" NH female swivel rocker lug (LDH Wye)	\$1,236.00
H200-60NHFS-25NHM	2-way ball valve 6" NH female swivel rocker lug x (2) 2.5" NH male (LDH Wye)	\$1,056.00
H200-60NHFS-25NHFS	2-way ball valve 6" NH female swivel rocker lug x (2) 2.5" NH female swivel rocker lug (LDH Wye)	\$1,229.00

### Long Handle Wye

Long Handle Wye	H200 Long Handle	List
H200-40NHLH-25NH	4" NH female swivel long handle inlet x (2) 2.5" NH male outlets	\$980.00
H200-40NHLH-25NHFS	4" NH female swivel long handle inlet x (2) 2.5" NH female swivel outlets	\$1,152.00
H200-45NHLH-25NH	4.5" NH female swivel long handle inlet x (2) 2.5" NH male outlets	\$969.00
H200-45NHLH-25NHFS	4.5" NH female swivel long handle inlet x (2) 2.5" NH female swivel outlets	\$1,141.00
H200-50NHLH-25NH	5" NH female swivel long handle inlet x (2) 2.5" NH male	\$1,016.00
H200-50NHLH-25NHFS	5" NH female swivel long handle inlet x (2) 2.5" NH female swivel outlets	\$1,189.00
H200-60NHLH-25NH	6" NH female swivel long handle inlet x (2) 2.5" NH male outlets	\$1,056.00
H200-60NHLH-25NHFS	6" NH female swivel long handle inlet x (2) 2.5" NH female swivel outlets	\$1,229.00



## H201 - Medium 2-Way Ball Valves (Leader Line Wye)

Our lightest wye which is excellent for forestry and high rise packs.

**Dimensions: Length: 10.5" Width: 9" Height: 8" Weight: 7 lbs**

Medium 2-Way Ball Valve	H201 medium	List
H201-10NHFS-10NH	2-way ball valve 1" NH female swivel rocker lug x (2) 1" NH male (Leader Line Wye)	\$825.00
H201-10NHFS-10NH/HR	2-way ball valve 1" NH female swivel rocker lug x (2) 1" NH male (Leader Line Wye) with Short Handles	\$825.00
H201-15NHFS-GHT	2-way ball valve 1.5" NH female swivel rocker lug x (2) GHT male (Leader Line Wye)	\$811.00
H201-15NHFS-10NH	2-way ball valve 1.5" NH female swivel rocker lug x (2) 1" NH male (Leader Line Wye)	\$826.00
H201-15NHFS-10NH/HR	2-way ball valve 1.5" NH female swivel rocker lug x (2) 1" NH male (Leader Line Wye) with Short Handles	\$826.00
H201-15NHFS-15NH	2-way ball valve 1.5" NH female swivel rocker lug x (2) 1.5" NH male (Leader Line Wye)	\$825.00
H201-15NHFS-15NH/HR	2-way ball valve 1.5" NH female swivel rocker lug x (2) 1.5" NH male (Leader Line Wye) with Short Handles	\$825.00
H201-15NHFS-15NHFS	2-way ball valve 1.5" NH female swivel rocker lug x (2) 1.5" NH female swivel rocker lug (Leader Line Wye)	\$836.00
H201-20-20ST	2-way ball valve 2" Storz x (2) 2" Storz (Leader Line Wye)	\$697.00
H201-25NHFS-10NH	2-way ball valve 2.5" NH female swivel rocker lug x (2) 1" NH male (Leader Line Wye)	\$828.00
H201-25NHFS-10NH/HR	2-way ball valve 2.5" NH female swivel rocker lug x (2) 1" NH male (Leader Line Wye) with Short Handles	\$828.00
H201-25NHFS-15NH	2-way ball valve 2.5" NH female swivel rocker lug x (2) 1.5" NH male (Leader Line Wye)	\$827.00
H201-25NHFS-15NH/HR	2-way ball valve 2.5" NH female swivel rocker lug x (2) 1.5" NH male (Leader Line Wye) with Short Handles	\$827.00
H201-25NHFS-15NPSH	2-way ball valve 2.5" NH female swivel rocker lug x (2) 1.5" NPSH male (Leader Line Wye)	\$827.00
H201-25NHFS-15ST	2-way ball valve 2.5" NH female swivel rocker lug x (2) 1.5" Storz (Leader Line Wye)	\$845.00
H201-25NHFS-15ST/HR	2-way ball valve 2.5" NH female swivel rocker lug x (2) 1.5" Storz (Leader Line Wye) with short handles	\$845.00
H201-25-25ST	2-way ball valve 2.5" Storz x (2) 2.5" Storz (Leader Line Wye)	\$737.00



**Note: We offer a full range of British Instantaneous Fittings. Please contact us directly for pricing.**





## H201F - Small 2-Way Ball Valves

Dimensions: Length: 6.125" Width: 9.25" Height: 4.25" Weight: 2lbs

Small 2-Way Ball Valve	H201 small	List
H201F-10NHFS-10NHM	Small 2-Way Ball Valve 1" NH female swivel rocker lug inlet x (2) 1" NH male outlets	\$682.00
H201F-10NHFS-10NPSHM	Small 2-Way Ball Valve 1" NH female swivel rocker lug inlet x (2) 1" NPSH male outlets	\$682.00
H201F-15NHFS-10NHM	Small 2-Way Ball Valve 1.5" NH female swivel rocker lug inlet x (2) 1" NH male outlets	\$691.00
H201F-15NHFS-15NHM	Small 2-Way Ball Valve 1.5" NH female swivel rocker lug inlet x (2) 1.5" NH male outlets	\$936.00

## H202 - Mid Size 2-Way Ball Valves (Leader Line Wye)

Standard 2 way ball valve for feeding two lines with one line. A light weight valve with powder coating for lasting finish. Hard anodized balls have stainless steel tappets for corrosion resistance.

Dimensions: Length: 10.5" Width: 9" Height: 8" Weight: 10 lbs

Mid-Size 2-Way Ball Valve	H202	List
H202-25NHFS-15NH	2.5" NH female swivel inlet x (2) 1.5" NH male outlets (Mid-Size)	\$1,033.00
H202-25NHFS-15NH/HR	2.5" NPSH female swivel inlet x (2) 1.5" NH male outlets (Mid-Size)	\$1,033.00
H202-25NPSHFS-15NH	2.5" QST female swivel inlet x (2) 1.5" NPSH male outlets (Mid-Size)	\$1,033.00
H202-25NHFS-25NH	2.5" NH female swivel inlet x (2) 2.5" NH male outlets (Mid-Size)	\$928.00
H202-25NHFS-25NH/HR	2.5" QST female swivel inlet x (2) 2.5" QST male outlets (Mid-Size)	\$928.00
H202-25NHM-25NHFS	2.5" NH male outlet x (2) 2.5" NH female swivel inlets (Mid-Size)	\$1,110.00
H202-25-25ST	2.5" Storz inlet x (2) 2.5" Storz outlets (Mid-Size)	\$1,002.00
H202-30NHFS-15NH	3" NH female swivel inlet x (2) 1.5" NH male outlets (Mid-Size)	\$1,187.00
H202-30NHFS-25NH	3" NH female swivel inlet x (2) 2.5" NH male outlets (Mid-Size)	\$960.00
H202-30-30ST	3" Storz inlet x (2) 3" Storz outlets (Mid-Size)	\$908.00

## H300 - 3-Way Ball Valves (LDH Wye)

Mid-size, light weight 3 way LDH ball valve feeds three smaller lines from one LDH line or feed one LDH line from up to three smaller lines. The balls are hard anodized with stainless steel tappets for corrosion resistance. Valve includes a field adjustable pressure relief valve. Specify the size of Storz or NST connections.

Dimensions: Length: 13.5" Width: 13" Height: 11" Weight: 23 lbs

3-Way Ball Valve	H300	List
H300-40-25NH	3-way ball valve 4" Storz lock x (3) 2.5" NH male w/ 250-S RV (LDH Wye)	\$1,858.00
H300-40-25NHFS	3-way ball valve 4" Storz lock x (3) 2.5" NH female swivel w/ 250-S RV (LDH Wye)	\$2,123.00
H300-40-25ST	3-way ball valve 4" Storz lock x (3) 2.5" Storz w/ 250-S RV (LDH Wye)	\$1,954.00
H300-40-30ST	3-way ball valve 4" Storz lock x (3) 3" Storz w/ 250-S RV (LDH Wye)	\$1,938.00



H300-40NHFS-25NH	3-way ball valve 4" NH female Swivel rocker lug x (3) 2.5" NH male w/ 250-S RV (LDH Wye)	\$1,834.00
H300-40NHFS-25NHFS	3-way ball valve 4" NH female Swivel rocker lug x (3) 2.5" NH female swivel w/ 250-S RV (LDH Wye)	\$2,098.00
H300-45NHFS-25NH	3-way ball valve 4.5" NH female Swivel rocker lug x (3) 2.5" NH male w/ 250-S RV (LDH Wye)	\$1,839.00
H300-50-25NH	3-way ball valve 5" Storz lock x (3) 2.5" NH male w/ 250-S RV (LDH Wye)	\$1,796.00
H300-50-25NH/FTS	3-way ball valve 5" Storz lock full time swivel x (3) 2.5" NH male w/ 250-S RV (LDH Wye)	\$2,051.00
H300-50-25NHFS	3-way ball valve 5" Storz lock x (3) 2.5" NH female swivel w/ 250-S RV (LDH Wye)	\$2,061.00
H300-50-25NHFS/FTS	3-way ball valve 5" Storz lock Full Time Swivel x (3) 2.5" NH female swivel w/ 250-S RV (LDH Wye)	\$2,315.00
H300-50-25ST	3-way ball valve 5" Storz lock x (3) 2.5" Storz w/ 250-S RV (LDH Wye)	\$1,892.00
H300-50-30ST	3-way ball valve 5" Storz lock x (3) 3" Storz w/ 250-S RV (LDH Wye)	\$1,876.00
H300-50NHFS-25NH	3-way ball valve 5" NH female Swivel rocker lug x (3) 2.5" NH male w/ 250-S RV (LDH Wye)	\$1,743.00
H300-50NHFS-25NHFS	3-way ball valve 5" NH female Swivel rocker lug x (3) 2.5" NH female swivel w/ 250-S RV (LDH Wye)	\$2,117.00
H300-60-25NH	3-way ball valve 6" Storz lock inlet x (3) 2.5" NH male outlets w/ 250-S RV (LDH Wye)	\$1,931.00
H300-60-25NHFS	3-way ball valve 6" Storz lock x (3) 2.5" NH female swivel w/ 250-S RV (LDH Wye)	\$2,196.00
H300-60-25ST	3-way ball valve 6" Storz lock x (3) 2.5" Storz w/ 250-S RV (LDH Wye)	\$2,144.00
H300-60-30ST	3-way ball valve 6" Storz lock x (3) 3" Storz w/ 250-S RV (LDH Wye)	\$2,127.00
H300-60NHFS-25NH	3-way ball valve 6" NH female Swivel rocker lug x (3) 2.5" NH male w/ 250-S RV (LDH Wye)	\$1,932.00
H300-60NHFS-25NHFS	3-way ball valve 6" NH female Swivel rocker lug x (3) 2.5" NH female swivel w/ 250-S RV (LDH Wye)	\$2,197.00

### KEY

RL	Rocker Lug
LH	Long Handle
NH	National Hose Thread
NPSH	National Pipe Straight Hose Thread
NPT	National Pipe Thread
QST	Quebec Standard Thread
BI	British Instantaneous
PRV	Pressure Relief Valve

Please note raw material shortages are causing longer than normal lead times on most items. We reserve the right to change prices without notice.

Special Threads available on request, cost as follows: Allow 4-5 weeks for special threads.

- All Special threads - \$15.00 net, each
- 1" to 3.5" NPT Threads - No Charge
- 4" and up NPT Threads - \$15.00 net, each



### H301 - Small 3-Way Ball Valves (Water Thief)

Excellent device for high rise kits. Divides water into three hoses from one. Light weight construction. Hard anodized balls for corrosion resistance.

**Dimensions: Length: 12" Width: 12" Height: 10" Weight: 14 lbs**

Water Thief	H301 water thief	List
H301-15NHFS-15NH	3-way ball valve 1.5" NH female swivel rocker lug x (3) 1.5" NH male (Water Thief)	\$1,211.00
H301-25NHFS-15NH	3-way ball valve 2.5" NH female swivel rocker lug x (3) 1.5" NH male (Water Thief)	\$1,218.00
H301-25-15ST	3-way ball valve 2.5" Storz x (3) 1.5" Storz (Water Thief)	\$1,382.00
H301-25NHFS-25NH-15NH	3-way ball valve 2.5" NH female swivel x (1) 2.5" NH male & (2) 1.5" NH male (Water Thief)	\$1,119.00
H301-25-25-15ST	3-way ball valve 2.5" Storz x (1) 2.5" Storz & (2) 1.5" Storz (Water Thief)	\$1,208.00
H301-25NHFS-25NH	3-way ball valve 2.5" NH female swivel x (3) 2.5" NH male (Water Thief)	\$1,147.00
H301-25-25ST	3-way ball valve 2.5" Storz x (3) 2.5" Storz (Water Thief)	\$1,138.00
H301-30NHFS-25NH-15NH	3-way ball valve 3" NH female swivel x (1) 2.5" NH male & (2) 1.5" NH male (Water Thief)	\$1,278.00
H301-30NHFS-25NHM	3-way ball valve 3" NH female swivel x (3) 2.5" NH male (Water Thief)	\$1,312.00
H301-30-25ST	3-way ball valve 3" Storz x (3) 2.5" Storz (Water Thief)	\$1,133.00

### H301 - 3-Way Manifolds

Light weight, 3 way LDH manifold, feeds two smaller lines from one LDH line and also has one straight through LDH outlet. The balls are hard anodized with stainless steel tappets for corrosion resistance. The manifold has an adjustable pressure relief valve and a liquid filled pressure gauge. Specify the size of Storz or NST connections.

**Dimensions: Length: 16" Width: 16" Height: 13" Weight: 40 lbs**

3-Way Manifold	H301	List
H301-40-40-25NH	3-way Manifold 4" Storz lock x (1) 4" Storz lock & (2) 2.5" NH male w/ 250-S RV (LDH Manifold)	\$3,334.00
H301-40NHFS-40NHM-25NH	3-way Manifold 4" NH female swivel x (1) 4" NH male & (2) 2.5" NH male w/ 250-S RV (LDH Manifold)	\$3,226.00
H301-40-40-25NHFS	3-way Manifold 4" Storz lock x (1) 4" Storz lock & (2) 2.5" NH female swivel w/ 250-S RV (LDH Manifold)	\$3,361.00
H301-45NHFS-40-25NH	3-way Manifold 4.5" NH female swivel x (1) 4" Storz lock & (2) 2.5" NH male w/ 250-S RV (LDH Manifold)	\$3,415.00
H301-45NHFS-45NHM-25NH	3-way Manifold 4.5" NH female swivel x (1) 4.5" NH male & (2) 2.5" NH male w/ 250-S RV (LDH Manifold)	\$3,252.00
H301-50-40-25NH	3-way Manifold 5" Storz lock x (1) 4" Storz lock & (2) 2.5" NH male w/ 250-S RV (LDH Manifold)	\$3,277.00
H301-50-40-25NHFS	3-way Manifold 5" Storz lock x (1) 4" Storz lock & (2) 2.5" NH female swivel w/ 250-S RV (LDH Manifold)	\$3,411.00
H301-50-50-25NH	3-way Manifold 5" Storz lock x (1) 5" Storz lock & (2) 2.5" NH male w/ 250-S RV (LDH Manifold)	\$3,427.00

**Special Threads available on request, cost as follows: Allow 4-5 weeks for special threads.**

- All Special threads - \$15.00 net, each
- 1" to 3.5" NPT Threads - No Charge
- 4" and up NPT Threads - \$15.00 net, each

H301-50-50-25NH/FTS	3-way Manifold 5" Storz lock Full Time Swivel x (1) 5" Storz lock & (2) 2.5" NH male w/ 250-S RV (LDH Manifold)	\$3,713.00
H301-50-50-25ST	3-way Manifold 5" Storz lock x (1) 5" Storz lock & (2) 2.5" Storz w/ 250-S RV (LDH Manifold)	\$3,401.00
H301-50-50-30ST	3-way Manifold 5" Storz lock x (1) 5" Storz lock & (2) 3" Storz w/ 250-S RV (LDH Manifold)	\$3,389.00
H301-60-60-25NH	3-way Manifold 6" Storz lock x (1) 6" Storz lock & (2) 2.5" NH male w/ 250-S RV (LDH Manifold)	\$3,715.00
H301-60NHFS-60NHM-25NH	3-way Manifold 6" NH female swivel x (1) 6" NH male & (2) 2.5" NH male w/ 250-S RV (LDH Manifold)	\$3,401.00
H301-60NHFS-60NHM-25NHFS	3-way Manifold 6" NH female swivel x (1) 6" NH male & (2) 2.5" NH female swivel w/ 250-S RV (LDH Manifold)	\$3,514.00
HPG-100-H	Harrington 0-300 Glycerine Filled Pressure Gauge	\$78.00
HPM-M	Post mount for the H301 and H400 Manifolds	\$338.00

### H400 - 5-Way Manifolds

Light weight, 5 way LDH manifold, feeds four smaller lines from one LDH line and also has one straight through LDH outlet. The balls are hard anodized with stainless steel tappets for corrosion resistance. The manifold has an adjustable pressure relief valve and a liquid filled pressure gauge. Specify the size of Storz or NST connections.

**Dimensions: Length: 17" Width: 24" Height: 13" Weight: 51 lbs**

5-Way Manifold	H400	List
H400-40-40-25NH	5-way Manifold 4" Storz lock x (1) 4" Storz lock & (4) 2.5" NH male w/ 250-S RV (LDH Manifold)	\$4,031.00
H400-40-40-25NHFS	5-way Manifold 4" Storz lock x (1) 4" Storz lock & (4) 2.5" NH female swivel w/ 250-S RV (LDH Manifold)	\$4,104.00
H400-40NHFS-40NHM-25NH	5-way Manifold 4" NH female swivel x (1) 4" NH male & (4) 2.5" NH male w/ 250-S RV (LDH Manifold)	\$3,701.00
H400-45NHFS-45NHM-25NH	5-way Manifold 4.5" NH female swivel x (1) 4.5" NH male & (4) 2.5" NH male w/ 250-S RV (LDH Manifold)	\$3,731.00
H400-50-40-25NH	5-way Manifold 5" Storz lock x (1) 4" Storz lock & (4) 2.5" NH male w/ 250-S RV (LDH Manifold)	\$3,751.00
H400-50-40-25NHFS	5-way Manifold 5" Storz lock x (1) 4" Storz lock & (4) 2.5" NH female swivel w/ 250-S RV (LDH Manifold)	\$3,780.00
H400-50-50-25NH	5-way Manifold 5" Storz lock x (1) 5" Storz lock & (4) 2.5" NH male w/ 250-S RV (LDH Manifold)	\$3,901.00
H400-50-50-25NH/FTS	5-way Manifold 5" Storz lock Full Time Swivel x (1) 5" Storz lock & (4) 2.5" NH male w/ 250-S RV (LDH Manifold)	\$4,251.00
H400-50-50-25NHFS	5-way Manifold 5" Storz lock x (1) 5" Storz lock & (4) 2.5" NH female swivel w/ 250-S RV (LDH Manifold)	\$3,934.00
H400-50-50-25NPSH	5-way Manifold 5" Storz lock x (1) 5" Storz lock & (4) 2.5" NPSH male w/ 250-S RV (LDH Manifold)	\$3,901.00

**Special Threads available on request, cost as follows: Allow 4-5 weeks for special threads.**

- All Special threads - \$15.00 net, each
- 1" to 3.5" NPT Threads - No Charge
- 4" and up NPT Threads - \$15.00 net, each



H400-50-50-25ST	5-way Manifold 5" Storz lock x (1) 5" Storz lock & (4) 2.5" Storz w/ 250-S RV (LDH Manifold)	\$3,876.00
H400-50-50-30ST	5-way Manifold 5" Storz lock x (1) 5" Storz lock & (4) 3" Storz w/ 250-S RV (LDH Manifold)	\$3,854.00
H400-60-60-25NH	5-way Manifold 6" Storz lock x (1) 6" Storz lock & (4) 2.5" NH male w/ 250-S RV (LDH Manifold)	\$4,189.00
H400-60-60-25NPSH	5-way Manifold 6" Storz lock x (1) 6" Storz lock & (4) 2.5" NPSH male w/ 250-S RV (LDH Manifold)	\$4,189.00
H400-60-60-25ST	5-way Manifold 6" Storz lock x (1) 6" Storz lock & (4) 2.5" Storz w/ 250-S RV (LDH Manifold)	\$3,989.00
H400-60-60-30ST	5-way Manifold 6" Storz lock x (1) 6" Storz lock & (4) 3" Storz w/ 250-S RV (LDH Manifold)	\$3,968.00
HPG-100-H	Harrington 0-300 Glycerine Filled Pressure Gauge	\$78.00
HPM-M	Post mount bracket for the H301 and H400 Manifolds	\$338.00



**Special Threads available on request, cost as follows: Allow 4-5 weeks for special threads.**

- All Special threads - \$15.00 net, each
- 1" to 3.5" NPT Threads - No Charge
- 4" and up NPT Threads - \$15.00 net, each

## H600 - Super Flow 2-Way Ball Valves

Large, light-weight 2 way LDH ball valve. Feed two LDH hoses from a single LDH line or one LDH hose from two LDH hoses. The Super Flow ball valve has low friction loss due to a high flow water way design. Hard anodized balls with stainless steel tappets for corrosion resistance. This design permits feed from either direction. Includes adjustable pressure relief valve for added safety. Specify the size of Storz or NST connections.

**Dimensions: Length: 18" Width: 16" Height: 12" Weight: 47 lbs**



Superflow 2-Way Ball Valve	H600	List
H600-40-40ST	2-way Superflow ball valve 4" Storz lock x (2) 4" Storz lock w/ 250-S RV	\$4,360.00
H600-40NHFS-40NHM	2-way Superflow ball valve 4" NH female swivel x (2) 4" NH male w/ 250-S RV	\$3,963.00
H600-45NHFS-40NHM	2-way Superflow ball valve 4.5" NH female swivel x (2) 4" NH male w/ 250-S RV	\$3,972.00
H600-45NHFS-50ST	2-way Superflow ball valve 4.5" NH female swivel x (2) 5" Storz lock w/ 250-S RV	\$4,218.00
H600-50-40ST	2-way Superflow ball valve 5" Storz lock x (2) 4" Storz lock w/ 250-S RV	\$4,303.00
H600-50-50ST	2-way Superflow ball valve 5" Storz lock x (2) 5" Storz lock w/ 250-S RV	\$4,190.00
H600-50-50ST/FTS	2-way Superflow ball valve 5" Storz lock Full Time Swivel x (2) 5" Storz lock w/ 250-S RV	\$4,539.00
H600-50NHFS-50NHM	2-way Superflow ball valve 5" NH female swivel x (2) 5" NH male w/ 250-S RV	\$4,020.00
H600-60-40ST	2-way Superflow ball valve 6" Storz lock x (2) 4" Storz lock w/ 250-S RV	\$4,495.00
H600-60NHFS-40ST	2-way Superflow ball valve 6" NH female swivel x (2) 4" Storz lock w/ 250-S RV	\$4,424.00
H600-60NPSHFS-40ST	2-way Superflow ball valve 6" NPSH female swivel x (2) 4" Storz lock w/ 250-S RV	\$4,424.00
H600-60-50ST	2-way Superflow ball valve 6" Storz lock x (2) 5" Storz lock w/ 250-S RV	\$4,384.00
H600-60NHFS-50ST	2-way Superflow ball valve 6" NH Female Swivel x (2) 5" Storz lock w/ 250-S RV	\$4,311.00
H600-60NPSHFS-50ST	2-way Superflow ball valve 6" NPSH Female Swivel x (2) 5" Storz lock w/ 250-S RV	\$4,311.00
H600-60-60ST	2-way Superflow ball valve 6" Storz lock x (2) 6" Storz lock w/ 250-S RV	\$4,778.00
H600-60NHFS-60NHM	2-way Superflow ball valve 6" NH female swivel x (2) 6" NH male w/ 250-S RV	\$4,135.00

## Hydrant Valves

### H700 - LDH Hydrant Valves (Hydrassist)

Excellent for boosting pressure on long hose lays or for boosting low hydrant pressures. The light-weight hydrant valve enables the first-in pumper to lay LDH directly from the hydrant to the fire and when hose lay is completed, start flowing water from the hydrant. If additional pressure is required, another pumper can connect to the Hydrassist valve and start pumping to raise pressure and flow without interrupting the established water supply. The valve provides an emergency shut-down capability. Choose from a variety of sizes of Storz or NST connections.

**Dimensions: Height: 13" Extension: 12.75" Width: 17" Weight: 36 lbs**

**Friction loss at 1000 GPM: 3.3 PSI.**



Hydrant Assist Valve	H700	List
H700-40-40NH	5" Hydrassist Hydrant valve 4" NH female swivel long handle x (3) 4" Storz lock	\$4,214.00
H700-40-40ST	5" Hydrassist Hydrant valve 4" Storz lock Part Time Swivel x (3) 4" Storz lock	\$4,383.00
H700-40-45NH	5" Hydrassist Hydrant valve 4.5" NH female swivel long handle x (3) 4" Storz lock	\$4,201.00
H700-40-50NH	5" Hydrassist Hydrant valve 5" NH female swivel long handle x (3) 4" Storz lock	\$4,222.00
H700-45-40-45-40	5" Hydrassist Hydrant valve 4.5" NH female swivel long handle x 4" Storz lock, 4.5" NH male & 4" Storz lock (AB,CD)	\$4,040.00
H700-50-40NH	5" Hydrassist Hydrant valve 4" NH female swivel long handle x (3) 5" Storz lock	\$4,044.00
H700-50-40ST	5" Hydrassist Hydrant valve 4" Storz lock Part Time Swivel x (3) 5" Storz lock	\$4,214.00
H700-50-45NH	5" Hydrassist Hydrant valve 4.5" NH female swivel long handle x (3) 5" Storz lock	\$4,031.00
H700-50-50NH	5" Hydrassist Hydrant valve 5" NH female swivel long handle x (3) 5" Storz lock	\$4,051.00
H700-50-50ST	5" Hydrassist Hydrant valve 5" Storz lock Part Time Swivel x (3) 5" Storz lock	\$4,140.00





### HHBV - Hydrant Ball Valves

Quarter turn, 2" waterway, 2.5" ball valve for double dressing hydrants, tanker fill site, in line water flow control, or other portable uses. Lightweight durable ball valve, 2.5" NH FM swivel X 2.5" NH M, quarter turn, hard coated ball, full flow design, multiple portable uses for control of water flow. 250 PSI working pressure rating.

**Dimensions: Extension: 5.5" Width: 4" Height: 7" Weight: 5 lbs**

Hydrant Ball Valve	HHBV	List
HHBV-25NHM-25NH	2½ Ball valve 2.5" NH male x 2.5" NH female swivel (hydrant ball valve)	\$613.00
HHBV-25NHM-25NHLH	2½ Ball valve 2.5" NH male x 2.5" NH female long handle swivel (hydrant ball valve)	\$633.00
HHBV-25NHM-25NPSH	2½ Ball valve 2.5" NH male x 2.5" NPSH female swivel (hydrant ball valve)	\$613.00
HHBV-25NPTM-25NH	2½ Ball valve 2.5" NPT male x 2.5" NH female swivel (hydrant ball valve)	\$689.00
HHBV-25NPTM-25NPSH	2½ Ball valve 2.5" NPT male x 2.5" NPSH female swivel (hydrant ball valve)	\$689.00
HHBV-25-xxx-25-xxx	2½ Ball valve 2.5" special thread male x 2.5" special thread female swivel (hydrant ball valve)	\$712.00
HHBV-25NHFS-25NHFS	2½ Ball valve 2.5" NH female swivel x 2.5" NH female swivel (hydrant ball valve)	\$689.00
HHBV-25NHM-25NPTF	2½ Ball valve 2.5" NH male x 2.5" NPT female rigid (hydrant ball valve)	\$595.00
HHBV-25-25NH	2½ Ball valve 2.5" Storz x 2.5" NH female swivel (hydrant ball valve)	\$706.00
HHBV-25-25NPSH	2½ Ball valve 2.5" Storz x 2.5" NPSH female swivel (hydrant ball valve)	\$706.00
HHBV-30-25NH	2½ Ball valve 3" Storz x 2.5" NH female swivel (hydrant ball valve)	\$706.00
HHBV-30-25NPSH	2½ Ball valve 3" Storz x 2.5" NPSH female swivel (hydrant ball valve)	\$706.00
HHBV-40-25NH	2½ Ball valve 4" Storz lock x 2.5" NH female swivel (hydrant ball valve)	\$856.00
HHBV-40-25NHLH	2½ Ball valve 4" Storz lock x 2.5" NH female long handle swivel (hydrant ball valve)	\$870.00
HHBV-40-25NHM	2½ Ball valve 4" Storz lock x 2.5" NH male (hydrant ball valve)	\$772.00
HHBV-50-25NH	2½ Ball valve 5" Storz lock x 2.5" NH female swivel (hydrant ball valve)	\$924.00
HHBV-50-25NHM	2½ Ball valve 5" Storz lock x 2.5" NH male (hydrant ball valve)	\$858.00

**Note: We offer a full range of British Instantaneous Fittings. Please contact us directly for pricing.**

**Please note raw material shortages are causing longer than normal lead times on most items. We reserve the right to change prices without notice.**

**Special Threads available on request, cost as follows: Allow 4-5 weeks for special threads.**

- All Special threads - \$15.00 net, each
- 1" to 3.5" NPT Threads - No Charge
- 4" and up NPT Threads - \$15.00 net, each



### HHGV - Hydrant Gate Valves

Gate valve with a non rising stem is excellent for hydrant and other water control. There is a spinning knob on hand wheel for easy open/close, with a built in slow close safety operation. Lightweight anodized all metal corrosion resistance construction and a stainless steel spindle. 2.25" waterway. 250 PSI working pressure rating.

**Dimensions: Extension: 6" Width: 5" Height: 9" Weight: 4.5 lbs**

Hydrant Gate Valve	HHGV	List
HHGV-25NHM-25NH	2½ Gate valve 2.5" NH male x 2.5" NH female swivel (hydrant gate valve)	\$591.00
HHGV-HD-25NHM-25NH	Heavy Duty 2½ Gate valve 2.5" NH male x 2.5" NH female swivel (hydrant gate valve)	\$756.00
HHGV-25-xxxM-25-xxx	2½ Gate valve 2.5" special thread male x 2.5" special thread female swivel (hydrant gate valve)	\$725.00
HHGV-25NHM-25NPSH	2½ Gate valve 2.5" NH male x 2.5" NPSH female swivel (hydrant gate valve)	\$591.00
HHGV-25NHM-25NPTF	2½ Gate valve 2.5" NH male x 2.5" NPT female rigid (hydrant gate valve)	\$724.00
HHGV-25NPTM-25NPSHFS	2½ Gate valve 2.5" NPT male x 2.5" NPSH female swivel (hydrant gate valve)	\$712.00
HHGV-25NHFS-25NHFS	2½ Gate valve 2.5" NH female swivel x 2.5" NH female swivel (hydrant gate valve)	\$826.00
HHGV-25-25NH	2½ Gate valve 2.5" Storz x 2.5" NH female swivel (hydrant gate valve)	\$760.00

## Standard Gate Valves

### H800 - 4" Straight Gate Valves

This LDH hydrant gate valve provides low friction loss due to a high flow design. It is excellent for hydrant discharge control, due to providing a slow open/close mechanism. The light weight gate valve has an air bleeder valve, a non-rising stem, an anodized gate, and a stainless steel spindle.

**Dimensions: Extension: 10.5" Width: 6" Height: 14" Weight: 21 lbs**

**Friction loss at 1000 GPM: 0.8 PSI**

4" Gate Valves	H800 Series	List
H800-40-40NH	4" Gate valve straight 4" Storz lock x 4" NH female swivel rocker lug	\$1,641.00
H800-40-40NHLH	4" Gate valve straight 4" Storz lock x 4" NH female swivel long handle	\$1,641.00
H800-40-40NPSH	4" Gate valve straight 4" Storz lock x 4" NPSH female swivel rocker lug	\$1,641.00
H800-40-40NPSHLH	4" Gate valve straight 4" Storz lock x 4" NPSH female swivel long handle	\$1,641.00
H800-40-40ST	4" Gate valve straight 4" Storz lock x 4" Storz lock Part Time Swivel	\$1,830.00
H800-40NHFS-40NHFS	4" Gate valve straight 4" NH female swivel rocker lug x 4" NH female swivel rocker lug	\$1,670.00
H800-40NPSHFS-40NPSHFS	4" Gate valve straight 4" NPSH female swivel rocker lug x 4" NPSH female swivel rocker lug	\$1,670.00

**Note: the H800 Series is available with a flange on the intake. Please contact us directly for pricing information.**





H800-40NHM-40NH	4" Gate valve straight 4" NH male x 4" NH female swivel rocker lug	\$1,568.00
H800-40NHM-40NHLH	4" Gate valve straight 4" NH male x 4" NH female swivel long handle	\$1,577.00
H800-40NHM-40NPSH	4" Gate valve straight 4" NH male x 4" NPSH female swivel rocker lug	\$1,568.00
H800-40NPTM-40NPSH	4" Gate valve straight 4" NPT male x 4" NPSH female swivel rocker lug	\$1,592.00
H800-40-45NH	4" Gate valve straight 4" Storz lock x 4.5" NH female swivel rocker lug	\$1,626.00
H800-40-45NHLH	4" Gate valve straight 4" Storz lock x 4.5" NH female swivel long handle	\$1,636.00
H800-40NHM-45NH	4" Gate valve straight 4" NH male x 4.5" NH female swivel rocker lug	\$1,553.00
H800-40NHM-45NHLH	4" Gate valve straight 4" NH male x 4.5" NH female swivel long handle	\$1,563.00
H800-40-50NH	4" Gate valve straight 4" Storz lock x 5" NH female swivel rocker lug	\$1,673.00
H800-40-60NH	4" Gate valve straight 4" Storz lock x 6" NH female swivel rocker lug	\$1,747.00
H800-40-60NHLH	4" Gate valve straight 4" Storz lock x 6" NH female swivel long handle	\$1,752.00
H800-40-60NPSH	4" Gate valve straight 4" Storz lock x 6" NPSH female swivel rocker lug	\$1,747.00
H800-45NHM-45NH	4" Gate valve straight 4.5" NH male x 4.5" NH female swivel rocker lug	\$1,575.00
H800-45NHM-45NHLH	4" Gate valve straight 4.5" NH male x 4.5" NH female swivel long handle	\$1,585.00
H800-50-40NH	4" Gate valve straight 5" Storz lock x 4" NH female swivel rocker lug	\$1,800.00
H800-50-40NHLH	4" Gate valve straight 5" Storz lock x 4" NH female swivel long handle	\$1,806.00
H800-50-45NH	4" Gate valve straight 5" Storz lock x 4.5" NH female swivel rocker lug	\$1,785.00
H800-50-45NHLH	4" Gate valve straight 5" Storz lock x 4.5" NH female swivel long handle	\$1,795.00
H800-50-50NH	4" Gate valve straight 5" Storz lock x 5" NH female swivel rocker lug	\$1,832.00
H800-50-50ST	4" Gate valve straight 5" Storz lock x 5" Storz lock Part Time Swivel	\$1,916.00
H800-50NHM-50NH	4" Gate valve straight 5" NH male x 5" NH female swivel rocker lug	\$1,648.00
H800-50-60NH	4" Gate valve straight 5" Storz lock x 6" NH female swivel rocker lug	\$1,906.00
H800-50-60NHLH	4" Gate valve straight 5" Storz lock x 6" NH female swivel long handle	\$1,911.00
H800-50-60NPSH	4" Gate valve straight 5" Storz lock x 6" NPSH female swivel rocker lug	\$1,906.00
H800-50-60NPSHLH	4" Gate valve straight 5" Storz lock x 6" NPSH female swivel long handle	\$1,911.00
H800-60-60NH	4" Gate valve straight 5" Storz lock x 6" NH female swivel rocker lug	\$1,898.00
H800-60-60NHLH	4" Gate valve straight 5" Storz lock x 6" NH female swivel long handle	\$1,903.00
H800-60NHM-60NH	4" Gate valve straight 6" NH male x 6" NH female swivel rocker lug	\$1,750.00
H800-60NHM-60NHLH	4" Gate valve straight 6" NH male x 6" NH female swivel long handle	\$1,755.00
H800-60NHM-60NPSH	4" Gate valve straight 6" NH male x 6" NPSH female swivel rocker lug	\$1,750.00
H800-60NHM-60NPSHLH	4" Gate valve straight 6" NH male x 6" NPSH female swivel long handle	\$1,755.00

**Note: the H800 Series is available with a flange on the intake. Please contact us directly for pricing information.**

Special Threads available on request, cost as follows: Allow 4-5 weeks for special threads.

- All Special threads - \$15.00 net, each
- 1" to 3.5" NPT Threads - No Charge
- 4" and up NPT Threads - \$15.00 net, each

## H810 - 25° Elbow 4" Gate Valves with Field Adjustable Pressure Relief Valve

This LDH hydrant gate valve has the following features: slow open/close, a 25 degree elbow, and low friction loss due to a high flow waterway design. The light weight gate valve has a non rising stem, an air bleeder valve, a field adjustable pressure relief valve, an anodized gate, and a stainless steel spindle. Choose from a variety of sizes of Storz or NST connections.

**Dimensions: Extension: 12.5" Width: 7" Height: 15" Weight: 24 lbs**  
**Friction Loss at 1000 GPM: 0.8 PSI.**



4" Gate Valve w/ elbow, PRV	H810 Series	List
H810-40-40NH	4" Gate valve w/250-S RV 25° elbow 4" Storz lock x 4" NH female swivel rocker lug	\$2,258.00
H810-40-40NHLH	4" Gate valve w/250-S RV 25° elbow 4" Storz lock x 4" NH female swivel long handle	\$2,271.00
H810-40-40NPSH	4" Gate valve w/250-S RV 25° elbow 4" Storz lock x 4" NPSH female swivel rocker lug	\$2,258.00
H810-40-40ST	4" Gate valve w/250-S RV 25° elbow 4" Storz lock x 4" Storz lock Part Time Swivel	\$2,429.00
H810-40NHM-40NH	4" Gate valve w/250-S RV 25° elbow 4" NH male x 4" NH female swivel rocker lug	\$2,281.00
H810-40NHM-40NPSH	4" Gate valve w/250-S RV 25° elbow 4" NH male x 4" NPSH female swivel rocker lug	\$2,281.00
H810-40-45NH	4" Gate valve w/250-S RV 25° elbow 4" Storz lock x 4.5" NH female swivel rocker lug	\$2,251.00
H810-40-45NHLH	4" Gate valve w/250-S RV 25° elbow 4" Storz lock x 4.5" NH female swivel long handle	\$2,266.00
H810-40-50NH	4" Gate valve w/250-S RV 25° elbow 4" Storz lock x 5" NH female swivel rocker lug	\$2,308.00
H810-40-50NHLH	4" Gate valve w/250-S RV 25° elbow 4" Storz lock x 5" NH female swivel long handle	\$2,308.00
H810-40-60NH	4" Gate valve w/250-S RV 25° elbow 4" Storz lock x 6" NH female swivel rocker lug	\$2,385.00
H810-40-60NHLH	4" Gate valve w/250-S RV 25° elbow 4" Storz lock x 6" NH female swivel long handle	\$2,385.00
H810-45NHM-45NH	4" Gate valve w/250-S RV 25° elbow 4.5" NH male x 4.5" NH female swivel rocker lug	\$2,209.00
H810-50-40NH	4" Gate valve w/250-S RV 25° elbow 5" Storz lock x 4" NH female swivel rocker lug	\$2,411.00
H810-50-40NHLH	4" Gate valve w/250-S RV 25° elbow 5" Storz lock x 4" NH female swivel long handle	\$2,426.00
H810-50-40NPSH	4" Gate valve w/250-S RV 25° elbow 5" Storz lock x 4" NPSH female swivel rocker lug	\$2,411.00
H810-50-45NH	4" Gate valve w/250-S RV 25° elbow 5" Storz lock x 4.5" NH female swivel rocker lug	\$2,400.00
H810-50-45NHLH	4" Gate valve w/250-S RV 25° elbow 5" Storz lock x 4.5" NH female swivel long handle	\$2,418.00
H810-50-50NH	4" Gate valve w/250-S RV 25° elbow 5" Storz lock x 5" NH female swivel rocker lug	\$2,460.00
H810-50-50NHLH	4" Gate valve w/250-S RV 25° elbow 5" Storz lock x 5" NH female swivel long handle	\$2,460.00
H810-50-50NPSH	4" Gate valve w/250-S RV 25° elbow 5" Storz lock x 5" NPSH female swivel rocker lug	\$2,460.00
H810-50-50ST	4" Gate valve w/250-S RV 25° elbow 5" Storz lock x 5" Storz lock Part Time Swivel	\$2,493.00
H810-50NHM-50NH	4" Gate valve w/250-S RV 25° elbow 5" NH male x 5" NH female swivel rocker lug	\$2,268.00
H810-50NHM-50NHLH	4" Gate valve w/250-S RV 25° elbow 5" Storz lock x 5" NH female swivel long handle	\$2,268.00
H810-50-60NH	4" Gate valve w/250-S RV 25° elbow 5" Storz lock x 6" NH female swivel rocker lug	\$2,537.00
H810-50-60NHLH	4" Gate valve w/250-S RV 25° elbow 5" Storz lock x 6" NH female swivel long handle	\$2,537.00
H810-50-60NPSH	4" Gate valve w/250-S RV 25° elbow 5" Storz lock x 6" NPSH female swivel rocker lug	\$2,537.00
H810-60-60NH	4" Gate valve w/250-S RV 25° elbow 6" Storz lock x 6" NH female swivel rocker lug	\$2,585.00
H810-60-60NPSH	4" Gate valve w/250-S RV 25° elbow 6" Storz lock x 6" NPSH female swivel rocker lug	\$2,585.00
H810-60NHFS-60NH	4" Gate valve w/250-S RV 25° elbow 6" NH female swivel rocker lug x 6" NH female swivel rocker lug	\$2,517.00
H810-60NHM-60NH	4" Gate valve w/250-S RV 25° elbow 6" NH male x 6" NH female swivel rocker lug	\$2,410.00





### H811 - 25° Elbow 4" Gate Valves

This LDH hydrant gate valve has the following features: slow open/close, a 25 degree elbow, and low friction loss due to a high flow waterway design. The light weight gate valve has a non rising stem, an air bleeder valve, an anodized gate, and a stainless steel spindle. Choose from a variety of sizes of Storz or NST connections.

**Dimensions: Extension: 12.5" Width: 6" Height: 15" Weight: 22 lbs**  
**Friction Loss at 1000 GPM: 0.8 PSI.**

4" Gate Valve w elbow	H811 Series	List
H811-40-40NH	4" Gate valve w/ 25° elbow 4" Storz lock x 4" NH female swivel rocker lug	\$1,733.00
H811-40-40NHLH	4" Gate valve w/ 25° elbow 4" Storz lock x 4" NH female swivel long handle	\$1,741.00
H811-40-40NPSH	4" Gate valve w/ 25° elbow 4" Storz lock x 4" NPSH female swivel rocker lug	\$1,733.00
H811-40-40ST	4" Gate valve w/ 25° elbow 4" Storz lock x 4" Storz lock Part Time Swivel	\$1,911.00
H811-40NHM-40NH	4" Gate valve w/ 25° elbow 4" NH male x 4" NH female swivel rocker lug	\$1,664.00
H811-40NHM-40NPSH	4" Gate valve w/ 25° elbow 4" NH male x 4" NPSH female swivel rocker lug	\$1,664.00
H811-40-45NH	4" Gate valve w/ 25° elbow 4" Storz lock x 4.5" NH female swivel rocker lug	\$1,718.00
H811-40-45NHLH	4" Gate valve w/ 25° elbow 4" Storz lock x 4.5" NH female swivel long handle	\$1,728.00
H811-40-50NH	4" Gate valve w/ 25° elbow 4" Storz lock x 5" NH female swivel rocker lug	\$1,763.00
H811-40-50NHLH	4" Gate valve w/ 25° elbow 4" Storz lock x 5" NH female swivel long handle	\$1,763.00
H811-40-50NPSH	4" Gate valve w/ 25° elbow 4" Storz lock x 5" NPSH female swivel rocker lug	\$1,763.00
H811-40-60NH	4" Gate valve w/ 25° elbow 4" Storz lock x 6" NH female swivel rocker lug	\$1,832.00
H811-40-60NHLH	4" Gate valve w/ 25° elbow 4" Storz lock x 6" NH female swivel long handle	\$1,837.00
H811-45NHM-45NH	4" Gate valve w/ 25° elbow 4.5" NH male x 4.5" NH female swivel rocker lug	\$1,670.00
H811-50-40NH	4" Gate valve w/ 25° elbow 5" Storz lock x 4" NH female swivel rocker lug	\$1,883.00
H811-50-40NHLH	4" Gate valve w/ 25° elbow 5" Storz lock x 4" NH female swivel long handle	\$1,900.00
H811-50-45NH	4" Gate valve w/ 25° elbow 5" Storz lock x 4.5" NH female swivel rocker lug	\$1,868.00
H811-50-45NHLH	4" Gate valve w/ 25° elbow 5" Storz lock x 4.5" NH female swivel long handle	\$1,878.00
H811-50-50NH	4" Gate valve w/ 25° elbow 5" Storz lock x 5" NH female swivel rocker lug	\$1,913.00
H811-50-50NHLH	4" Gate valve w/ 25° elbow 5" Storz lock x 5" NH female swivel long handle	\$1,927.00
H811-50-50NPSH	4" Gate valve w/ 25° elbow 5" Storz lock x 5" NPSH female swivel rocker lug	\$1,913.00
H811-50-50ST	4" Gate valve w/ 25° elbow 5" Storz lock x 5" Storz lock Part Time Swivel	\$1,930.00
H811-50NHM-50NH	4" Gate valve w/ 25° elbow 5" NH male x 5" NH female swivel rocker lug	\$1,699.00
H811-50-60NH	4" Gate valve w/ 25° elbow 5" Storz lock x 6" NH female swivel rocker lug	\$1,982.00
H811-50-60NHLH	4" Gate valve w/ 25° elbow 5" Storz lock x 6" NH female swivel long handle	\$1,987.00
H811-50-60NPSH	4" Gate valve w/ 25° elbow 5" Storz lock x 6" NPSH female swivel rocker lug	\$1,982.00
H811-60NHM-60NH	4" Gate valve w/ 25° elbow 6" NH male x 6" NH female swivel rocker lug	\$1,849.00



**Note: the H800 Series is available with a flange on the intake. Please contact us directly for pricing information.**

### Super Flow 6" Gate Valves

This LDH gate valve has our largest water way which provides low friction loss due to a high flow design. The light weight gate valve is available in three configurations, Straight, 30' elbow or elbow with relief valve, all models include a 3/4" air bleeder valve, a non-rising stem, an anodized gate, and a stainless steel spindle. Choose from a variety of sizes of Storz, NST or Flange connections.

**Dimensions: Extension: 10", Width: 8.5", Height: 16", Weight: 30 lbs**  
**Friction loss at 1000 GPM-0.1 psi.**



### H860 - Super Flow Straight 6" Gate Valves

6" Gate Valves	H860 Series	List
H860-45NHM-45NH	6" Gate valve superflow straight 4.5" NH male x 4.5" NH female swivel rocker lug	\$3,468.00
H860-50-45NH	6" Gate valve superflow straight 5" Storz lock x 4.5" NH female swivel rocker lug	\$3,685.00
H860-50-45NHLH	6" Gate valve superflow straight 5" Storz lock x 4.5" NH female swivel long handle	\$3,685.00
H860-50-50NH	6" Gate valve superflow straight 5" Storz lock x 5" NH female swivel rocker lug	\$3,612.00
H860-50-60NH	6" Gate valve superflow straight 5" Storz lock x 6" NH female swivel rocker lug	\$3,612.00
H860-50-60NHLH	6" Gate valve superflow straight 5" Storz lock x 6" NH female swivel long handle	\$3,612.00
H860-50-60NPSH	6" Gate valve superflow straight 5" Storz lock x 6" NPSH female swivel rocker lug	\$3,612.00
H860-50-60NPSHLH	6" Gate valve superflow straight 5" Storz lock x 6" NPSH female swivel long handle	\$3,612.00
H860-60-60NH	6" Gate valve superflow straight 6" Storz lock x 6" NH female swivel rocker lug	\$3,510.00
H860-60-60NPSH	6" Gate valve superflow straight 6" Storz lock x 6" NPSH female swivel rocker lug	\$3,510.00
H860-60NHM-60NH	6" Gate valve superflow straight 6" NH male x 6" NH female swivel rocker lug	\$3,364.00
H860-60NHM-60NPSH	6" Gate valve superflow straight 6" NH male x 6" NPSH female swivel rocker lug	\$3,364.00

**Please note raw material shortages are causing longer than normal lead times on most items. We reserve the right to change prices without notice.**

## H861 - 25° Elbow 6" Gate Valves

H861 - 25° Elbow 6" Gate Valves	H861 Series	List
H861-45NHM-45NH	4.5" NH female swivel rocker lug inlet x 4.5" NH male outlet	\$4,944.00
H861-45NHM-45NHLH	4.5" NH female swivel long handle inlet x 4.5" NH male outlet	\$4,944.00
H861-50-45NH	4.5" NH female swivel rocker lug inlet x 5" Storz lock outlet	\$4,990.00
H861-50-50NH	5" NH female swivel rocker lug inlet x 5" Storz lock outlet	\$4,824.00
H861-50-50NHLH	5" NH female swivel long handle inlet x 5" Storz lock outlet	\$4,824.00
H861-50-60NH	6" NH female swivel rocker lug inlet x 5" Storz lock outlet	\$6,149.00
H861-60-50NH	5" NH female swivel rocker lug inlet x 6" Storz lock outlet	\$4,722.00
H861-60-50NHLH	5" NH female swivel long handle inlet x 6" Storz lock outlet	\$4,722.00
H861-60-60NH	6" NH female swivel rocker lug inlet x 6" Storz lock outlet	\$4,722.00
H861-60-60NPSH	6" NPSH female swivel rocker lug inlet x 6" Storz lock outlet	\$4,722.00
H861-60NHM-60NH	6" NH female swivel rocker lug inlet x 6" NH male outlet	\$5,901.00
H861-60NHM-60NHLH	6" NH female swivel long handle inlet x 6" NH male outlet	\$5,901.00
H861-60NHM-60NPSH	6" NPSH female swivel rocker lug inlet x 6" NH male outlet	\$5,901.00
H861-60NHM-60NPSHLH	6" NPSH female swivel long handle inlet x 6" NH male outlet	\$5,901.00

## Siamese Valves

### HJ20 - Jumbo Siamese - Double Clappered

Large two way Clappered Siamese, excellent design for supplying one "LDH" line from two "LDH" lines. Siamese features rubber covered convenient carrying handle. Inlets are individually Clappered. Specify the size of Storz or NST connections

**Dimensions: Length: 18" Width: 14" Height: 9" Weight: 26 lbs**

Jumbo 2-Way Siamese	(clappered)	List
HJ20-40-40ST	(2) 4" Storz lock inlet x 4" Storz lock outlet	\$2,415.00
HJ20-50-40ST	(2) 4" Storz lock inlet x 5" Storz lock outlet	\$2,344.00
HJ20-50-50ST	(2) 5" Storz lock inlet x 5" Storz lock outlet	\$2,502.00
HJ20-60-50ST	(2) 5" Storz lock inlet x 6" Storz lock outlet	\$2,649.00

Please note raw material shortages are causing longer than normal lead times on most items. We reserve the right to change prices without notice.

## H220 - 2-Way Siamese

Light weight, single clappered Siamese for supplying one LDH line from two smaller lines. The aluminum alloy is powder coated for long lasting finish and corrosion resistance. The one clapper design will close off the non pressurized inlet while permitting flow from the pressurized inlet. Choose from a variety of sizes of Storz or NST adapters.

**Dimensions: Length: 10.5" Width: 9.5" Height: 8" Weight: 11 lbs**

2-Way Siamese	H220	List
H220-25NHM-25NHFS	2-way siamese clappered 2.5" NH male outlet x (2) 2.5" NH female swivel inlets	\$619.00
H220-40-25NH	2-way siamese clappered 4" Storz lock outlet x (2) 2.5" NH female swivel inlets	\$802.00
H220-40-25NHM	2-way siamese clappered 4" Storz lock outlet x (2) 2.5" NH male inlets	\$688.00
H220-40SW-25NH	2-way siamese clappered 4" Storz lock Part Time Swivel outlet x (2) 2.5" NH female swivel inlets	\$960.00
H220-40-25ST	2-way siamese clappered 4" Storz lock outlet x (2) 2.5" Storz inlets	\$699.00
H220-40NHFS-25NHFS	2-way siamese clappered 4" NH female swivel outlet x (2) 2.5" NH female swivel inlets	\$787.00
H220-40NPSHFS-25NHFS	2-way siamese clappered 4" NPSH female swivel outlet x (2) 2.5" NH female swivel inlets	\$787.00
H220-40NHFS-25NHM	2-way siamese clappered 4" NH female swivel outlet x (2) 2.5" NH male inlets	\$672.00
H220-40-30ST	2-way siamese clappered 4" Storz lock outlet x (2) 3" Storz inlets	\$688.00
H220-45NHFS-25NHFS	2-way siamese clappered 4.5" NH female swivel outlet x (2) 2.5" NH female swivel inlets	\$779.00
H220-50-25NH	2-way siamese clappered 5" Storz lock outlet x (2) 2.5" NH female swivel inlets	\$873.00
H220-50-25NHM	2-way siamese clappered 5" Storz lock outlet x (2) 2.5" NH male inlets	\$766.00
H220-50-25ST	2-way siamese clappered 5" Storz lock outlet x (2) 2.5" Storz inlets	\$749.00
H220-50-30ST	2-way siamese clappered 5" Storz lock outlet x (2) 3" Storz inlets	\$739.00
H220-50NHFS-25NHFS	2-way siamese clappered 5" NH female swivel outlet x (2) 2.5" NH female swivel inlets	\$828.00
H220-60-25ST	2-way siamese clappered 6" Storz lock outlet x (2) 2.5" Storz inlets	\$786.00
H220-60NHFS-25NHFS	2-way siamese clappered 6" NH female swivel outlet x (2) 2.5" NH female swivel inlets	\$913.00
H220-60-30ST	2-way siamese clappered 6" Storz lock outlet x (2) 3" Storz inlets	\$775.00
Non-Clappered		
H220-40SW-25NH/LC	(2) 2.5" NH female inlets x 4" Storz lock part time swivel outlet	\$960.00
H220-40NHFS-25NHM/LC	(2) 2.5" NH male inlets x 4" NH female swivel rocker lug outlet	\$672.00
H220-45NHFS-25NHM/LC	(2) 2.5" NH male inlets x 4.5" NH female swivel rocker lug outlet	\$667.00
H220-50-25NHGV/LC	(2) 2.5" NH male gate valve (HHGV) inlets x 5" Storz lock rigid outlet	\$1,909.00
H220-50-25NHM/LC	(2) 2.5" NH male inlets x 5" Storz lock rigid outlet	\$766.00
H220-50SW-25NH/LC	(2) 2.5" NH female inlets x 5" Storz lock part time swivel outlet	\$859.00

Special Threads available on request, cost as follows: Allow 4-5 weeks for special threads.

- All Special threads - \$15.00 net, each
- 1" to 3.5" NPT Threads - No Charge
- 4" and up NPT Threads - \$15.00 net, each



### H330 - 3-Way Siamese

Light weight, 3 way clappered Siamese for supplying one LDH line from up to three smaller lines, each clappered individually. Specify the size of Storz or NST connections.

**Dimensions: Length:15.5" Width: 14" Height: 9" Weight: 9 lbs**

3-Way Siamese	H330	List
H330-40-25NH	3-way siamese clappered 4" Storz lock outlet x (3) 2.5" NH female swivel inlets	\$1,533.00
H330-40-25ST	3-way siamese clappered 4" Storz lock outlet x (3) 2.5" Storz inlets	\$1,336.00
H330-40-30ST	3-way siamese clappered 4" Storz lock outlet x (3) 3" Storz inlets	\$1,319.00
H330-50-25NH	3-way siamese clappered 5" Storz lock outlet x (3) 2.5" NH female swivel inlets	\$1,463.00
H330-50-25ST	3-way siamese clappered 5" Storz lock outlet x (3) 2.5" Storz inlets	\$1,265.00
H330-50-30ST	3-way siamese clappered 5" Storz lock outlet x (3) 3" Storz inlets	\$1,249.00
H330-60-25NH	3-way siamese clappered 6" Storz lock outlet x (3) 2.5" NH female swivel inlets	\$1,674.00
H330-60NHFS-25NHFS	3-way siamese clappered 6" NH female swivel outlet x (3) 2.5" NH female swivel inlets	\$1,582.00
H330-60-25ST	3-way siamese clappered 6" Storz lock outlet x (3) 2.5" Storz inlets	\$1,436.00
H330-60-30ST	3-way siamese clappered 6" Storz lock outlet x (3) 3" Storz inlets	\$1,421.00



**Note: We offer a full range of British Instantaneous Fittings. Please contact us directly for pricing.**

### H440 - 4-Way Siamese

Light weight anodized corrosion resistance all metal construction the 4 way Clappered Siamese is used for supplying one LDH line from up to four smaller lines. Each inlet is Clappered individually and can be fed individually or from all four smaller lines. Features stainless steel clapper assemblies "forged" Storz heads, and stainless steel balls in swivel races. Includes a carrying handle. Specify the size of Storz or NST connections.

**Dimensions: Length: 15" Width: 19" Height: 9" Weight: 15 lbs**

4-Way Siamese	H440	List
H440-40-25NH	4-way siamese clappered 4" Storz lock outlet x (4) 2.5" NH female swivel inlets	\$1,883.00
H440-40-25ST	4-way siamese clappered 4" Storz lock outlet x (4) 2.5" Storz inlets	\$1,620.00
H440-40-30ST	4-way siamese clappered 4" Storz lock outlet x (4) 3" Storz inlets	\$1,599.00
H440-50-25NH	4-way siamese clappered 5" Storz lock outlet x (4) 2.5" NH female swivel inlets	\$1,812.00
H440-50-25ST	4-way siamese clappered 5" Storz lock outlet x (4) 2.5" Storz inlets	\$1,549.00
H440-50-30ST	4-way siamese clappered 5" Storz lock outlet x (4) 3" Storz inlets	\$1,528.00
H440-60-25NH	4-way siamese clappered 6" Storz lock outlet x (4) 2.5" NH female swivel inlets	\$1,947.00
H440-60-25ST	4-way siamese clappered 6" Storz lock outlet x (4) 2.5" Storz inlets	\$1,684.00
H440-60-30ST	4-way siamese clappered 6" Storz lock outlet x (4) 3" Storz inlets	\$1,663.00
H440-60NHFS-25NHFS	4-way siamese clappered 6" NH female swivel outlet x (4) 2.5" NH female swivel inlets	\$1,948.00



### H30E - 30° Elbow Adapters

Hard coat anodizing to Military Specification, Type 3. All female swivels utilize stainless steel ball bearing or aluminum roller bearings, no plastic. Powder coated for corrosion resistance and protection.

Small Threaded Elbow Adapters - Anodized	H30E	List
H30E-15NHM-15NH	Elbow 30° 1.5" NH female swivel rocker lug x 1.5" NH male	\$269.00
H30E-25NHM-25NH	Elbow 30° 2.5" NH female swivel rocker lug x 2.5" NH male	\$154.00
H30E-25NHFS-25NHFS	Elbow 30° 2.5" NH female swivel rocker lug x 2.5" NH female swivel	\$258.00
H30E-25NHM-30NH	Elbow 30° 3" NH female swivel rocker lug x 2.5" NH male	\$347.00
H30E-25NHM-30NPSH	Elbow 30° 3" NPSH female swivel rocker lug x 2.5" NH male	\$347.00
H30E-30NHM-25NH	Elbow 30° 2.5" NH female swivel rocker lug x 3" NH male	\$241.00
H30E-30NHM-30NH	Elbow 30° 3" NH female swivel rocker lug x 3" NH male	\$363.00
H30E-30NHFS-30NHFS	Elbow 30° 3" NH female swivel rocker lug x 3" NH female swivel	\$487.00
H30E-35NHM-35NH	Elbow 30° 3.5" NH female swivel rocker lug x 3.5" NH male	\$432.00



### H30E - 30° Storz x Female Swivel Rocker Lug

Short 30° elbow adapter; hard anodized and powder coated for corrosion resistance and protection

Elbow 30° - Storz x Female RL	H30E-RL	List
H30E-25-25NH	30° Elbow 2.5" Storz x 2.5" NH female swivel rocker lug	\$193.00
H30E-25-25NPSH	30° Elbow 2.5" Storz x 2.5" NPSH female swivel rocker lug	\$193.00
H30E-25-25NHM	30° Elbow 2.5" Storz x 2.5" NH male	\$193.00
H30E-25-30NH	30° Elbow 2.5" Storz x 3" NH female swivel rocker lug	\$287.00
H30E-25-30NPSH	30° Elbow 2.5" Storz x 3" NPSH female swivel rocker lug	\$287.00
H30E-30-25NH	30° Elbow 3" Storz x 2.5" NH female swivel rocker lug	\$183.00
H30E-30-25NPSH	30° Elbow 3" Storz x 2.5" NPSH female swivel rocker lug	\$183.00
H30E-30-30NH	30° Elbow 3" Storz x 3" NH female swivel rocker lug	\$316.00
H30E-30-30NPSH	30° Elbow 3" Storz x 3" NPSH female swivel rocker lug	\$316.00
H30E-40-25NH	30° Elbow 4" Storz lock x 2.5" NH female swivel rocker lug	\$412.00
H30E-40-25NHM	30° Elbow 4" Storz lock x 2.5" NH male	\$442.00
H30E-40-25NPSH	30° Elbow 4" Storz lock x 2.5" NPSH female swivel rocker lug	\$412.00
H30E-40-30NH	30° Elbow 4" Storz lock x 3" NH female swivel rocker lug	\$562.00
H30E-40-30NPT	30° Elbow 4" Storz lock x 3" NPT female rigid	\$440.00
H30E-40-30NHM	30° Elbow 4" Storz lock x 3" NH male	\$448.00
H30E-40-35NH	30° Elbow 4" Storz lock x 3.5" NH female swivel rocker lug	\$533.00
H30E-40-40NH	30° Elbow 4" Storz lock x 4" NH female swivel rocker lug	\$500.00
H30E-40-40NH/Cap	30° Elbow 4" Storz lock with Cap/cable x 4" NH female swivel rocker lug	\$646.00



**Special Threads available on request, cost as follows: Allow 4-5 weeks for special threads.**

- All Special threads - \$15.00 net, each
- 1" to 3.5" NPT Threads - No Charge
- 4" and up NPT Threads - \$15.00 net, each



H30E-40-40NPSH	30° Elbow 4" Storz lock x 4" NPSH female swivel rocker lug	\$500.00
H30E-40-40NPSH/Cap	30° Elbow 4" Storz lock with Cap/cable x 4" NPSH female swivel rocker lug	\$646.00
H30E-40-40NPT	30° Elbow 4" Storz lock x 4" NPT female rigid	\$354.00
H30E-40-40NPT/Cap	30° Elbow 4" Storz lock with Cap/cable x 4" NPT female rigid	\$500.00
H30E-40-40NPTM	30° Elbow 4" Storz lock x 4" NPT male	\$475.00
H30E-40-40NPTM/Cap	30° Elbow 4" Storz lock with Cap/cable x 4" NPT male	\$621.00
H30E-40-45NH	30° Elbow 4" Storz lock x 4.5" NH female swivel rocker lug	\$503.00
H30E-40-50NH	30° Elbow 4" Storz lock x 5" NH female swivel rocker lug	\$669.00
H30E-40-60NH	30° Elbow 4" Storz lock x 6" NH female swivel rocker lug	\$677.00
H30E-40-60NPSH	30° Elbow 4" Storz lock x 6" NPSH female swivel rocker lug	\$677.00
H30E-40-60NPTF	30° Elbow 4" Storz lock x 6" NPT female rigid	\$552.00
H30E-40-60NPT/Cap	30° Elbow 4" Storz lock with Cap/cable x 6" NPT female rigid	\$698.00
H30E-40-60NPTM	30° Elbow 4" Storz lock x 6" NPT male	\$535.00
H30E-40-60NPTM/Cap	30° Elbow 4" Storz lock with Cap/cable x 6" NPT male	\$681.00
H30E-45-60NH (Storz 110)	30° Elbow 4.5" (110) Storz lock x 6" NH female swivel rocker lug	\$659.00
H30E-50-25NH	30° Elbow 5" Storz lock x 2.5" NH female swivel rocker lug	\$495.00
H30E-50-25NH/FTS	30° Elbow 5" Storz lock Full Time Swivel x 2.5" NH female swivel rocker lug	\$768.00
H30E-50-25NHM	30° Elbow 5" Storz lock x 2.5" NH male	\$577.00
H30E-50-30NH	30° Elbow 5" Storz lock x 3" NH female swivel rocker lug	\$562.00
H30E-50-30NHM	30° Elbow 5" Storz lock x 3" NH male	\$573.00
H30E-50-30NH/FTS	30° Elbow 5" Storz lock Full Time Swivel x 3" NH female swivel rocker lug	\$835.00
H30E-50-35NH	30° Elbow 5" Storz lock x 3.5" NH female swivel rocker lug	\$648.00
H30E-50-35NH/FTS	30° Elbow 5" Storz lock Full Time Swivel x 3.5" NH female swivel rocker lug	\$916.00
H30E-50-40NH	30° Elbow 5" Storz lock x 4" NH female swivel rocker lug	\$567.00
H30E-50-40NH/Cap	30° Elbow 5" Storz lock with Cap/cable x 4" NH female swivel rocker lug	\$736.00
H30E-50-40NH/FTS	30° Elbow 5" Storz lock Full Time Swivel x 4" NH female swivel rocker lug	\$840.00
H30E-50-40NPSH	30° Elbow 5" Storz lock x 4" NPSH female swivel rocker lug	\$567.00
H30E-50-40NPSH/Cap	30° Elbow 5" Storz lock with Cap/cable x 4" NPSH female swivel rocker lug	\$736.00
H30E-50-40NPSH/FTS	30° Elbow 5" Storz lock Full Time Swivel x 4" NPSH female swivel rocker lug	\$840.00
H30E-50-40NPT	30° Elbow 5" Storz lock x 4" NPT female rigid	\$420.00
H30E-50-40NPT/Cap	30° Elbow 5" Storz lock with Cap/cable x 4" NPT female rigid	\$589.00
H30E-50-40NPTM	30° Elbow 5" Storz lock x 4" NPT male	\$455.00
H30E-50-40NPTM/Cap	30° Elbow 5" Storz lock with Cap/cable x 4" NPT male	\$624.00
H30E-50-45NH	30° Elbow 5" Storz lock x 4.5" NH female swivel rocker lug	\$581.00
H30E-50-45NH/Cap	30° Elbow 5" Storz lock with Cap/cable x 4.5" NH female swivel rocker lug	\$750.00
H30E-50-45NH/FTS	30° Elbow 5" Storz lock Full Time Swivel x 4.5" NH female swivel rocker lug	\$854.00
H30E-50-50NH	30° Elbow 5" Storz lock x 5" NH female swivel rocker lug	\$607.00
H30E-50-50NH/Cap	30° Elbow 5" Storz lock with Cap/cable x 5" NH female swivel rocker lug	\$776.00
H30E-50NHM-50NH	30° Elbow 5" NH male x 5" NH female swivel rocker lug	\$534.00
H30E-50-50NH/FTS	30° Elbow 5" Storz lock Full Time Swivel x 5" NH female swivel rocker lug	\$880.00
H30E-50-50NPSH	30° Elbow 5" Storz lock x 5" NPSH female swivel rocker lug	\$607.00
H30E-50-50NPSH/CAP	30° Elbow 5" Storz lock with Cap/cable x 5" NPSH female swivel rocker lug	\$776.00
H30E-50-50NPT	30° Elbow 5" Storz lock x 5" NPT female rigid	\$803.00

H30E-50-50NPT/CAP	30° Elbow 5" Storz lock with Cap/cable x 5" NPT female rigid	\$972.00
H30E-50-60NH	30° Elbow 5" Storz lock x 6" NH female swivel rocker lug	\$617.00
H30E-50-60NH/CAP	30° Elbow 5" Storz lock with Cap/cable x 6" NH female swivel rocker lug	\$786.00
H30E-50-60NH/FTS	30° Elbow 5" Storz lock Full Time Swivel x 6" NH female swivel rocker lug	\$889.00
H30E-50-60NPSH	30° Elbow 5" Storz lock x 6" NPSH female swivel rocker lug	\$617.00
H30E-50-60NPSH/Cap	30° Elbow 5" Storz lock with Cap/cable x 6" NPSH female swivel rocker lug	\$786.00
H30E-50-60NPT	30° Elbow 5" Storz lock x 6" NPT female rigid	\$491.00
H30E-50-60NPT/Cap	30° Elbow 5" Storz lock with Cap/cable x 6" NPT female rigid	\$660.00
H30E-50-60NPTM	30° Elbow 5" Storz lock x 6" NPT male	\$478.00
H30E-50-60NPTM/Cap	30° Elbow 5" Storz lock with Cap/cable x 6" NPT male	\$647.00
H30E-60-40NH	30° Elbow 6" Storz lock x 4" NH female swivel rocker lug	\$743.00
H30E-60-40NPSH	30° Elbow 6" Storz lock x 4" NPSH female swivel rocker lug	\$743.00
H30E-60-40NPSH/CAP	30° Elbow 6" Storz lock with Cap/cable x 4" NPSH female swivel rocker lug	\$1,015.00
H30E-60-40NPT	30° Elbow 6" Storz lock x 4" NPT female rigid	\$659.00
H30E-60-40NPT/CAP	30° Elbow 6" Storz lock with Cap/cable x 4" NPT female rigid	\$931.00
H30E-60-40NPTM	30° Elbow 6" Storz lock x 4" NPT male	\$656.00
H30E-60-40NPTM/CAP	30° Elbow 6" Storz lock with Cap/cable x 4" NPT male	\$928.00
H30E-60-45NH	30° Elbow 6" Storz lock x 4.5" NH female swivel rocker lug	\$765.00
H30E-60-50NH	30° Elbow 6" Storz lock x 5" NH female swivel rocker lug	\$762.00
H30E-60-60NH	30° Elbow 6" Storz lock x 6" NH female swivel rocker lug	\$802.00
H30E-60-60NPSH	30° Elbow 6" Storz lock x 6" NPSH female swivel rocker lug	\$802.00
H30E-60-60NPSH/CAP	30° Elbow 6" Storz lock with Cap/cable x 6" NPSH female swivel rocker lug	\$1,074.00
H30E-60-60NPTF	30° Elbow 6" Storz lock x 6" NPT female rigid	\$613.00
H30E-60-60NPTF/Cap	30° Elbow 6" Storz lock with Cap/cable x 6" NPT female rigid	\$885.00
H30E-60-60NPTM	30° Elbow 6" Storz lock x 6" NPT male	\$613.00
H30E-60-60NPTM/Cap	30° Elbow 6" Storz lock with Cap/cable x 6" NPT male	\$885.00
H30E-60NHM-60NH	30° Elbow 6" NH male x 6" NH female swivel rocker lug	\$720.00



Please note raw material shortages are causing longer than normal lead times on most items. We reserve the right to change prices without notice.



### H30E - Storz x Female Swivel Long Handle

Short 30° elbow adapter; hard anodized and powder coated for corrosion resistance and protection

Elbow 30° - Storz x Female LH	H30E-LH	List
H30E-25-25NHLH	30° Elbow 2.5" Storz x 2.5" NH female swivel long handle	\$212.00
H30E-25-30NHLH	30° Elbow 2.5" Storz x 3" NH female swivel long handle	\$392.00
H30E-30-25NHLH	30° Elbow 3" Storz x 2.5" NH female swivel long handle	\$209.00
H30E-30-30NHLH	30° Elbow 3" Storz x 3" NH female swivel long handle	\$360.00
H30E-40-25NHLH	30° Elbow 4" Storz lock x 2.5" NH female swivel long handle	\$438.00
H30E-40-25NPSHLH	30° Elbow 4" Storz lock x 2.5" NPSH female swivel long handle	\$438.00
H30E-40-30NHLH	30° Elbow 4" Storz lock x 3" NH female swivel long handle	\$586.00
H30E-40-35NHLH	30° Elbow 4" Storz lock x 3.5" NH female swivel long handle	\$533.00
H30E-40-40NHLH	30° Elbow 4" Storz lock x 4" NH female swivel long handle	\$514.00
H30E-40-45NHLH	30° Elbow 4" Storz lock x 4.5" NH female swivel long handle	\$519.00
H30E-40-50NHLH	30° Elbow 4" Storz lock x 5" NH female swivel long handle	\$669.00
H30E-40-60NHLH	30° Elbow 4" Storz lock x 6" NH female swivel long handle	\$672.00
H30E-50-25NHLH	30° Elbow 5" Storz lock x 2.5" NH female swivel long handle	\$521.00
H30E-50-25NHLH/FTS	30° Elbow 5" Storz lock Full Time Swivel x 2.5" NH female swivel long handle	\$794.00
H30E-50-30NHLH	30° Elbow 5" Storz lock x 3" NH female swivel long handle	\$586.00
H30E-50-30NHLH/FTS	30° Elbow 5" Storz lock Full Time Swivel x 3" NH female swivel long handle	\$859.00
H30E-50-35NHLH	30° Elbow 5" Storz lock x 3.5" NH female swivel long handle	\$636.00
H30E-50-35NHLH/FTS	30° Elbow 5" Storz lock Full Time Swivel x 3.5" NH female swivel long handle	\$909.00
H30E-50-40NHLH	30° Elbow 5" Storz lock x 4" NH female swivel long handle	\$581.00
H30E-50-40NHLH/FTS	30° Elbow 5" Storz lock Full Time Swivel x 4" NH female swivel long handle	\$854.00
H30E-50-45NHLH	30° Elbow 5" Storz lock x 4.5" NH female swivel long handle	\$597.00
H30E-50-45NHLH/FTS	30° Elbow 5" Storz lock Full Time Swivel x 4.5" NH female swivel long handle	\$869.00
H30E-50-50NHLH	30° Elbow 5" Storz lock x 5" NH female swivel long handle	\$607.00
H30E-50-50NHLH/FTS	30° Elbow 5" Storz lock Full Time Swivel x 5" NH female swivel long handle	\$880.00
H30E-50-60NHLH	30° Elbow 5" Storz lock x 6" NH female swivel long handle	\$617.00
H30E-50-60NHLH/FTS	30° Elbow 5" Storz lock Full Time Swivel x 6" NH female swivel long handle	\$889.00
H30E-60-40NHLH	30° Elbow 6" Storz lock x 4" NH female swivel long handle	\$761.00
H30E-60-45NHLH	30° Elbow 6" Storz lock x 4.5" NH female swivel long handle	\$775.00
H30E-60-50NHLH	30° Elbow 6" Storz lock x 5" NH female swivel long handle	\$771.00
H30E-60-60NHLH	30° Elbow 6" Storz lock x 6" NH female swivel long handle	\$802.00
H30E-60NHM-60NHLH	30° Elbow 6" NH male x 6" NH female swivel long handle	\$720.00

### H30E - Storz x Storz Swivel

Elbow 30° - Storz x Storz	H30E -Storz to Storz	List
H30E-40-40ST	Elbow 30° 4" Storz swivel with lock x 4" Storz rigid with lock	\$797.00
H30E-50-50ST	Elbow 30° 5" Storz swivel with lock x 5" Storz rigid with lock	\$816.00



## Storz Hydrant Adapters

### HPHA - Storz Permanent Hydrant Adapters with Cap

Hydrant Storz adapters, with metal face, permanently changes main hydrant outlet from threads to Storz. Includes hard anodized adapter, metal face and cap with reflective stainless aircraft cable and stainless steel set screw to prevent unscrewing from the hydrant. Specify the hydrant thread size and Storz size.

Hydrant Storz Program	HPHA	List
HPHA40-40NH/Cap	Metal Face Storz Adapter 4" Storz x 4" NH Female with Storz cap & reflective stainless steel aircraft cable Dark Anodized	\$480.00
HPHA40-40xxx/Cap	Metal Face Storz Adapter 4" Storz x 4" special thread Female with Storz cap & reflective stainless steel aircraft cable Dark Anodized	\$518.00
HPHA40-45NH/Cap	Metal Face Storz Adapter 4" Storz x 4.5" NH Female with Storz cap & reflective stainless steel aircraft cable Dark Anodized	\$475.00
HPHA40-45xxx/Cap	Metal Face Storz Adapter 4" Storz x 4.5" special thread Female with Storz cap & reflective stainless steel aircraft cable Dark Anodized	\$580.00
HPHA40-50NH/Cap	Metal Face Storz Adapter 4" Storz x 5" NH Female with Storz cap & reflective stainless steel aircraft cable Dark Anodized	\$720.00
HPHA40-50xxx/Cap	Metal Face Storz Adapter 4" Storz x 5" Special thread Female with Storz cap & reflective stainless steel aircraft cable Dark Anodized	\$760.00
HPHA50-40NH/Cap	Metal Face Storz Adapter 5" Storz x 4" NH Female with Storz cap & reflective stainless steel aircraft cable Dark Anodized	\$610.00
HPHA50-40xxx/Cap	Metal Face Storz Adapter 5" Storz x 4" special thread Female with Storz cap & reflective stainless steel aircraft cable Dark Anodized	\$650.00
HPHA50-45NH/Cap	Metal Face Storz Adapter 5" Storz x 4.5" NH Female with Storz cap & reflective stainless steel aircraft cable Dark Anodized	\$600.00
HPHA50-45xxx/Cap	Metal Face Storz Adapter 5" Storz x 4.5" special thread Female with Storz cap & reflective stainless steel aircraft cable Dark Anodized	\$650.00
HPHA50-50NH/Cap	Metal Face Storz Adapter 5" Storz x 5" NH Female with Storz cap & reflective stainless steel aircraft cable Dark Anodized	\$725.00
HPHA50-50xxx/Cap	Metal Face Storz Adapter 5" Storz x 5" special thread Female with Storz cap & reflective stainless steel aircraft cable Dark Anodized	\$980.00
Cable-RKIT	stainless steel cable for caps, reflective, 20" long with crimping connectors	\$10.00



## HIHS Integral Storz with Cap- Dark Anodized



HIHS Intergral Storz with Cap- Dark Anodized	Metal Face Storz Nozzle for Integral conversion - Hydrant specific	List
HIHS-AMLOK-40-45	4" Storz Integral Hydrant Nozzle: 4 x Amlok nozzle with Storz cap & reflective stainless steel aircraft cable	\$850.00
HIHS-AMLOK-50-45	5" Storz Integral Hydrant Nozzle: 5 x Amlok nozzle with Storz cap & reflective stainless steel aircraft cable	\$960.00
HIHS-CLOW-40-45	4" Storz Integral Hydrant Nozzle: 4 x Clow nozzle with Storz cap & reflective stainless steel aircraft cable	\$850.00
HIHS-CLOW-50-45	5" Storz Integral Hydrant Nozzle: 5 x Clow nozzle with Storz cap & reflective stainless steel aircraft cable	\$960.00
HIHS-EJIW-40-375	4" Storz Integral Hydrant Nozzle: 4 x East Jordan 3.75" nozzle with Storz cap & reflective stainless steel aircraft cable	\$850.00
HIHS-EJIW-40-45	4" Storz Integral Hydrant Nozzle: 4 x East Jordan 4.5" nozzle with Storz cap & reflective stainless steel aircraft cable	\$850.00
HIHS-EJIW-50-375	5" Storz Integral Hydrant Nozzle: 5 x East Jordan 3.75" nozzle with Storz cap & reflective stainless steel aircraft cable	\$960.00
HIHS-EJIW-50-45	5" Storz Integral Hydrant Nozzle: 5 x East Jordan 4.5" nozzle with Storz cap & reflective stainless steel aircraft cable	\$960.00
HIHS-KEN-40-45	4" Storz Integral Hydrant Nozzle: 4 x Kennedy nozzle with Storz cap & reflective stainless steel aircraft cable	\$850.00
HIHS-KEN-50-45	5" Storz Integral Hydrant Nozzle: 5 x Kennedy nozzle with Storz cap & reflective stainless steel aircraft cable	\$960.00
HIHS-M&H-40-45	4" Storz Integral Hydrant Nozzle: 4 x M & H nozzle with Storz cap & reflective stainless steel aircraft cable	\$850.00
HIHS-M&H-50-45	5" Storz Integral Hydrant Nozzle: 5 x M & H nozzle with Storz cap & reflective stainless steel aircraft cable	\$960.00
HIHS-MLR-40-45	4" Storz Integral Hydrant Nozzle: 4 x Mueller nozzle with Storz cap & reflective stainless steel aircraft cable	\$850.00
HIHS-MLR-50-45	5" Storz Integral Hydrant Nozzle: 5 x Mueller nozzle with Storz cap & reflective stainless steel aircraft cable	\$960.00
HIHS-WAT-40-45	4" Storz Integral Hydrant Nozzle: 4 x Waterous nozzle with Storz cap & reflective stainless steel aircraft cable	\$850.00
HIHS-WAT-50-45	5" Storz Integral Hydrant Nozzle: 5 x Waterous nozzle with Storz cap & reflective stainless steel aircraft cable	\$960.00
Cable-RKIT	stainless steel cable for caps, reflective, 20" long with crimping connectors	\$10.00
HHSW-100	4"-5" Universal Hydrant Spanner	\$149.00



Please note raw material shortages are causing longer than normal lead times on most items. We reserve the right to change prices without notice.

## Storz Straight Adapters

Harrington Inc., "Forged" Storz heads provide maximum strength. Harrington Storz are rated for a working pressure of 250 PSI. No hidden imperfections like those found in cast couplings. Hard coat anodizing to Military Specification, Type 3. All female swivels utilize stainless steel ball bearing or aluminum roller bearings, no plastic. Available 2" to 6". All Storz couplings 4" and larger includes **All Metal NFPA compliant lock**.



### HSFS - Storz x Female Swivel Rocker Lug

Storz x Female Swivel RL Adapters	HSFS-RL	List
HSFS15-15NH	Adapter 1.5" Storz (38) x 1.5" NH female swivel rocker lug anodized	\$122.00
HSFS15-25NH	Adapter 1.5" Storz (38) x 2.5" NH female swivel rocker lug anodized	\$139.00
HSFS20-15NH	Adapter 2" Storz (52) x 1.5" NH female swivel rocker lug anodized	\$113.00
HSFS25-15NH	Adapter 2.5" Storz (65) x 1.5" NH female swivel rocker lug anodized	\$161.00
HSFS25-15NPSH	Adapter 2.5" Storz (65) x 1.5" NPSH female swivel rocker lug anodized	\$161.00
HSFS25-25NH	Adapter 2.5" Storz (65) x 2.5" NH female swivel rocker lug anodized	\$163.00
HSFS25-25NPSH	Adapter 2.5" Storz (65) x 2.5" NPSH female swivel rocker lug anodized	\$163.00
HSFS25-30NH	Adapter 2.5" Storz (65) x 3" NH female swivel rocker lug anodized	\$233.00
HSFS25-30NPSH	Adapter 2.5" Storz (65) x 3" NPSH female swivel rocker lug anodized	\$233.00
HSFS30-25NH	Adapter 3" Storz (75) x 2.5" NH female swivel rocker lug anodized	\$157.00
HSFS30-25NPSH	Adapter 3" Storz (75) x 2.5" NPSH female swivel rocker lug anodized	\$157.00
HSFS30-30NH	Adapter 3" Storz (75) x 3" NH female swivel rocker lug anodized	\$196.00
HSFS30-30NPSH	Adapter 3" Storz (75) x 3" NPSH female swivel rocker lug anodized	\$196.00
HSFS40-25NH	Adapter 4" Storz lock x 2.5" NH female swivel rocker lug anodized	\$324.00
HSFS40-30NH	Adapter 4" Storz lock x 3" NH female swivel rocker lug anodized	\$387.00
HSFS40-30NPSH	Adapter 4" Storz lock x 3" NPSH female swivel rocker lug anodized	\$387.00
HSFS40-35NH	Adapter 4" Storz lock x 3.5" NH female swivel rocker lug anodized	\$357.00
HSFS40-35NPSH	Adapter 4" Storz lock x 3.5" NPSH female swivel rocker lug anodized	\$357.00
HSFS40-40NH	Adapter 4" Storz lock x 4" NH female swivel rocker lug anodized	\$439.00
HSFS40-40NPSH	Adapter 4" Storz lock x 4" NPSH female swivel rocker lug anodized	\$439.00
HSFS40-45NH	Adapter 4" Storz lock x 4.5" NH female swivel rocker lug anodized	\$431.00
HSFS40-50NH	Adapter 4" Storz lock x 5" NH female swivel rocker lug anodized	\$492.00
HSFS40-50NPSH	Adapter 4" Storz lock x 5" NPSH female swivel rocker lug anodized	\$492.00
HSFS40-60NH	Adapter 4" Storz lock x 6" NH female swivel rocker lug anodized	\$574.00
HSFS40-60NPSH	Adapter 4" Storz lock x 6" NPSH female swivel rocker lug anodized	\$574.00
HSFS50-25NH	Adapter 5" Storz lock x 2.5" NH female swivel rocker lug anodized	\$396.00
HSFS50-25NH/FTS	Adapter 5" Storz lock Full Time Swivel x 2.5" NH female swivel rocker lug anodized	\$669.00
HSFS50-25NPSH	Adapter 5" Storz lock x 2.5" NPSH female swivel rocker lug anodized	\$396.00
HSFS50-30NH	Adapter 5" Storz lock x 3" NH female swivel rocker lug anodized	\$441.00
HSFS50-30NH/FTS	Adapter 5" Storz lock Full Time Swivel x 3" NH female swivel rocker lug anodized	\$714.00
HSFS50-30NPSH	Adapter 5" Storz lock x 3" NPSH female swivel rocker lug anodized	\$441.00
HSFS50-35NH	Adapter 5" Storz lock x 3.5" NH female swivel rocker lug anodized	\$425.00
HSFS50-35NH/FTS	Adapter 5" Storz lock Full Time Swivel x 3.5" NH female swivel rocker lug anodized	\$692.00
HSFS50-35NPSH	Adapter 5" Storz lock x 3.5" NPSH female swivel rocker lug anodized	\$425.00
HSFS50-40NH	Adapter 5" Storz lock x 4" NH female swivel rocker lug anodized	\$489.00
HSFS50-40NPSH	Adapter 5" Storz lock x 4" NPSH female swivel rocker lug anodized	\$489.00







HSFS50-45NH	Adapter 5" Storz lock x 4.5" NH female swivel rocker lug anodized	\$454.00
HSFS50-50NH	Adapter 5" Storz lock x 5" NH female swivel rocker lug anodized	\$520.00
HSFS50-50NPSH	Adapter 5" Storz lock x 5" NPSH female swivel rocker lug anodized	\$520.00
HSFS50-60NH	Adapter 5" Storz lock x 6" NH female swivel rocker lug anodized	\$632.00
HSFS50-60NPSH	Adapter 5" Storz lock x 6" NPSH female swivel rocker lug anodized	\$632.00
HSFS60-40NH	Adapter 6" Storz lock x 4" NH female swivel rocker lug anodized	\$630.00
HSFS60-40NPSH	Adapter 6" Storz lock x 4" NPSH female swivel rocker lug anodized	\$630.00
HSFS60-45NH	Adapter 6" Storz lock x 4.5" NH female swivel rocker lug anodized	\$583.00
HSFS60-50NH	Adapter 6" Storz lock x 5" NH female swivel rocker lug anodized	\$684.00
HSFS60-50NPSH	Adapter 6" Storz lock x 5" NPSH female swivel rocker lug anodized	\$684.00
HSFS60-60NH	Adapter 6" Storz lock x 6" NH female swivel rocker lug anodized	\$675.00
HSFS60-60NPSH	Adapter 6" Storz lock x 6" NPSH female swivel rocker lug anodized	\$675.00

### HSFS - Storz x Female Swivel Long Handle



Storz x Female Swivel LH Adapters	HSFS-LH	List
HSFS25-25NHLH	Adapter 2.5" Storz (65) x 2.5" NH female swivel long handle anodized	\$189.00
HSFS25-30NHLH	Adapter 2.5" Storz (65) x 3" NH female swivel long handle anodized	\$259.00
HSFS30-25NHLH	Adapter 3" Storz (75) x 2.5" NH female swivel long handle anodized	\$183.00
HSFS30-30NHLH	Adapter 3" Storz (75) x 3" NH female swivel long handle anodized	\$260.00
HSFS40-25NHLH	Adapter 4" Storz lock x 2.5" NH female swivel long handle anodized	\$351.00
HSFS40-30NHLH	Adapter 4" Storz lock x 3" NH female swivel long handle anodized	\$410.00
HSFS40-35NHLH	Adapter 4" Storz lock x 3.5" NH female swivel long handle anodized	\$374.00
HSFS40-40NHLH	Adapter 4" Storz lock x 4" NH female swivel long handle anodized	\$455.00
HSFS40-45NHLH	Adapter 4" Storz lock x 4.5" NH female swivel long handle anodized	\$447.00
HSFS40-50NHLH	Adapter 4" Storz lock x 5" NH female swivel long handle anodized	\$492.00
HSFS40-60NHLH	Adapter 4" Storz lock x 6" NH female swivel long handle anodized	\$574.00
HSFS50-25NHLH	Adapter 5" Storz lock x 2.5" NH female swivel long handle anodized	\$422.00
HSFS50-30NHLH	Adapter 5" Storz lock x 3" NH female swivel long handle anodized	\$465.00
HSFS50-35NHLH	Adapter 5" Storz lock x 3.5" NH female swivel long handle anodized	\$443.00
HSFS50-40NHLH	Adapter 5" Storz lock x 4" NH female swivel long handle anodized	\$504.00
HSFS50-45NHLH	Adapter 5" Storz lock x 4.5" NH female swivel long handle anodized	\$469.00
HSFS50-50NHLH	Adapter 5" Storz lock x 5" NH female swivel long handle anodized	\$520.00
HSFS50-60NHLH	Adapter 5" Storz lock x 6" NH female swivel long handle anodized	\$632.00
HSFS60-40NHLH	Adapter 6" Storz lock x 4" NH female swivel long handle anodized	\$644.00
HSFS60-45NHLH	Adapter 6" Storz lock x 4.5" NH female swivel long handle anodized	\$599.00
HSFS60-50NHLH	Adapter 6" Storz lock x 5" NH female swivel long handle anodized	\$684.00
HSFS60-60NHLH	Adapter 6" Storz lock x 6" NH female swivel long handle anodized	\$675.00



Please note raw material shortages are causing longer than normal lead times on most items. We reserve the right to change prices without notice.

# HARRINGTON STORZ X NPT & 150# FLANGE

## NPT



## 150# FLANGE



### Straight Storz x Female

- HSFR40-40NPT/Cap
- HSFR40-60NPT/Cap
- HSFR50-40NPT/Cap
- HSFR50-60NPT/Cap



### Straight Storz x Male

- HSMR40-40NPT /Cap
- HSMR40-60NPT /Cap
- HSMR50-40NPT /Cap
- HSMR50-60NPT /Cap



### 30° Storz x Female

- H30E-40-40NPT/Cap
- H30E-40-60NPT/Cap
- H30E-50-40NPT/Cap
- H30E-50-60NPT/Cap



### 30° Storz x Female Swivel

- H30E-40-40NPSH/Cap
- H30E-40-60NPSH/Cap
- H30E-50-40NPSH/Cap
- H30E-50-60NPSH/Cap

Other sizes available.



### Straight Flange x Male

- STORZ 4", 5" or 6"
- "Class 150" FLANGE 4", 5" or 6"
- Raised Face or Flat Face
- Flange has new improved primer & paint process – red or black



### Straight Storz x Flange

- STORZ 4", 5" or 6"
- "Class 150" FLANGE 4", 5" or 6"
- Raised Face or Flat Face
- Flange has new improved primer & paint process – red or black



### 30° Storz x Flange

- STORZ 4", 5" or 6"
- "Class 150" FLANGE 4", 5" or 6"
- Raised Face or Flat Face
- Flange has new improved primer & paint process – red or black



**Harrington, Inc.**  
Hydrant Storz Specialists

2630 West 21st Street, Erie, PA 16506  
800.553.0078  
info@harrinc.com · hydrantstorz.com



## HSFR - Storz x Female Rigid

HSFR - Storz x Female Rigid	HSFR	List
Storz x Female Rigid Adapters - Anodized		
HSFR10-10NH	Adapter 1" Storz (25) x 1" NH female rigid anodized	\$88.00
HSFR10-10NPSH	Adapter 1" Storz (25) x 1" NPSH female rigid anodized	\$88.00
HSFR10-10NPT	Adapter 1" Storz (25) x 1" NPT female rigid anodized	\$111.00
HSFR15-10NH	Adapter 1.5" Storz (38) x 1" NH female rigid anodized	\$93.00
HSFR15-10NPT	Adapter 1.5" Storz (38) x 1" NPT female rigid anodized	\$111.00
HSFR15-15NH	Adapter 1.5" Storz (38) x 1.5" NH female rigid anodized	\$96.00
HSFR15-15NPSH	Adapter 1.5" Storz (38) x 1.5" NPSH female rigid anodized	\$96.00
HSFR15-15NPT	Adapter 1.5" Storz (38) x 1.5" NPT female rigid anodized	\$119.00
HSFR15-20NPT	Adapter 1.5" Storz (38) x 2" NPT female rigid anodized	\$183.00
HSFR15-25NH	Adapter 1.5" Storz (38) x 2.5" NH female rigid anodized	\$159.00
HSFR15-25NPT	Adapter 1.5" Storz (38) x 2.5" NPT female rigid anodized	\$181.00
HSFR20-15NH	Adapter 2" Storz (52) x 1.5" NH female rigid anodized	\$104.00
HSFR20-15NPSH	Adapter 2" Storz (52) x 1.5" NPSH female rigid anodized	\$104.00
HSFR20-15NPT	Adapter 2" Storz (52) x 1.5" NT female rigid anodized	\$127.00
HSFR20-20NPT	Adapter 2" Storz (52) x 2" NPT female rigid anodized	\$129.00
HSFR25-15NH	Adapter 2.5" Storz (65) x 1.5" NH female rigid anodized	\$114.00
HSFR25-15NPSH	Adapter 2.5" Storz (65) x 1.5" NPSH female rigid anodized	\$114.00
HSFR25-15NPT	Adapter 2.5" Storz (65) x 1.5" NPT female rigid anodized	\$149.00
HSFR25-20NPT	Adapter 2.5" Storz (65) x 2" NPT female rigid anodized	\$163.00
HSFR25-25BIF	Adapter 2.5" Storz (65) x 2.5" BI female	\$178.00
HSFR25-25NH	Adapter 2.5" Storz (65) x 2.5" NH female rigid anodized	\$111.00
HSFR25-25NPSH	Adapter 2.5" Storz (65) x 2.5" NPSH female rigid anodized	\$111.00
HSFR25-25NPT	Adapter 2.5" Storz (65) x 2.5" NPT female rigid anodized	\$151.00
HSFR25-30NH	Adapter 2.5" Storz (65) x 3" NH female rigid anodized	\$105.00
HSFR25-30NPSH	Adapter 2.5" Storz (65) x 3" NPSH female rigid anodized	\$105.00
HSFR25-30NPT	Adapter 2.5" Storz (65) x 3" NPT female rigid anodized	\$163.00
HSFR30-15NH	Adapter 3" Storz (75) x 1.5" NH female rigid anodized	\$94.00
HSFR30-15NPSH	Adapter 3" Storz (75) x 1.5" NPSH female rigid anodized	\$94.00
HSFR30-20NH	Adapter 3" Storz (75) x 2" NH female rigid anodized	\$120.00
HSFR30-20NPSH	Adapter 3" Storz (75) x 2" NPSH female rigid anodized	\$120.00
HSFR30-20NPT	Adapter 3" Storz (75) x 2" NPT female rigid anodized	\$161.00
HSFR30-25NH	Adapter 3" Storz (75) x 2.5" NH female rigid anodized	\$107.00
HSFR30-25NPSH	Adapter 3" Storz (75) x 2.5" NPSH female rigid anodized	\$107.00
HSFR30-25NPT	Adapter 3" Storz (75) x 2.5" NPT female rigid anodized	\$121.00
HSFR30-30NH	Adapter 3" Storz (75) x 3" NH female rigid anodized	\$98.00
HSFR30-30NPSH	Adapter 3" Storz (75) x 3" NPSH female rigid anodized	\$98.00
HSFR30-30NPT	Adapter 3" Storz (75) x 3" NPT female rigid anodized	\$158.00
HSFR40-25NH	Adapter 4" Storz lock x 2.5" NH female rigid anodized	\$270.00
HSFR40-25NPT	Adapter 4" Storz lock x 2.5" NPT female rigid anodized	\$268.00
HSFR40-30NH	Adapter 4" Storz lock x 3" NH female rigid anodized	\$271.00
HSFR40-30NPSH	Adapter 4" Storz lock x 3" NPSH female rigid anodized	\$271.00

**Note: We offer a full range of British Instantaneous Fittings. Please contact us directly for pricing.**

HSFR40-30NPT	Adapter 4" Storz lock x 3" NPT female rigid anodized	\$284.00
HSFR40-35NH	Adapter 4" Storz lock x 3.5" NH female rigid anodized	\$281.00
HSFR40-35NPSH	Adapter 4" Storz lock x 3.5" NPSH female rigid anodized	\$281.00
HSFR40-40NH	Adapter 4" Storz lock x 4" NH female rigid anodized	\$329.00
HSFR40-40NPSH	Adapter 4" Storz lock x 4" NPSH female rigid anodized	\$329.00
HSFR40-40NPT	Adapter 4" Storz lock x 4" NPT female rigid anodized	\$180.00
HSFR40-40NPT/Cap	Adapter 4" Storz lock with Cap/cable x 4" NPT female rigid anodized	\$326.00
HSFR40-45NH	Adapter 4" Storz lock x 4.5" NH female rigid anodized	\$409.00
HSFR40-50NH	Adapter 4" Storz lock x 5" NH female rigid anodized	\$584.00
HSFR40-50NPT	Adapter 4" Storz lock x 5" NPT female rigid anodized	\$378.00
HSFR40-60NH	Adapter 4" Storz lock x 6" NH female rigid anodized	\$466.00
HSFR40-60NPSH	Adapter 4" Storz lock x 6" NPSH female rigid anodized	\$466.00
HSFR40-60NPT	Adapter 4" Storz lock x 6" NPT female rigid anodized	\$486.00
HSFR40-60NPT/Cap	Adapter 4" Storz lock with Cap/cable x 6" NPT female rigid anodized	\$632.00
HSFR45-40NH (Storz 110)	Adapter 4.5" (110) Storz lock x 4" NH female rigid anodized	\$310.00
HSFR45-40NPSH (Storz 110)	Adapter 4.5" (110) Storz lock x 4" NPSH female rigid anodized	\$310.00
HSFR45-40NPT (Storz 110)	Adapter 4.5" (110) Storz lock x 4" NPT female rigid anodized	\$333.00
HSFR45-45NH (Storz 110)	Adapter 4.5" (110) Storz lock x 4.5" NH female rigid anodized	\$368.00
HSFR45-50NH (Storz 110)	Adapter 4.5" (110) Storz lock x 5" NH female rigid anodized	\$323.00
HSFR45-60NH (Storz 110)	Adapter 4.5" (110) Storz lock x 6" NH female rigid anodized	\$432.00
HSFR50-25NH	Adapter 5" Storz lock x 2.5" NH female rigid anodized	\$336.00
HSFR50-25NH/FTS	Adapter 5" Storz lock Full Time Swivel x 2.5" NH female rigid anodized	\$609.00
HSFR50-25NPSH	Adapter 5" Storz lock x 2.5" NPSH female rigid anodized	\$336.00
HSFR50-25NPT	Adapter 5" Storz lock x 2.5" NPT female rigid anodized	\$343.00
HSFR50-30NH	Adapter 5" Storz lock x 3" NH female rigid anodized	\$326.00
HSFR50-30NH/FTS	Adapter 5" Storz lock Full Time Swivel x 3" NH female rigid anodized	\$599.00
HSFR50-30NPSH	Adapter 5" Storz lock x 3" NPSH female rigid anodized	\$326.00
HSFR50-30NPT	Adapter 5" Storz lock x 3" NPT female rigid anodized	\$344.00
HSFR50-35NH	Adapter 5" Storz lock x 3.5" NH female rigid anodized	\$367.00
HSFR50-35NH/FTS	Adapter 5" Storz lock Full Time Swivel x 3.5" NH female rigid anodized	\$639.00
HSFR50-35NPSH	Adapter 5" Storz lock x 3.5" NPSH female rigid anodized	\$367.00
HSFR50-40NH	Adapter 5" Storz lock x 4" NH female rigid anodized	\$395.00
HSFR50-40NH/FTS	Adapter 5" Storz lock Full Time Swivel x 4" NH female rigid anodized	\$668.00
HSFR50-40NPSH	Adapter 5" Storz lock x 4" NPSH female rigid anodized	\$395.00
HSFR50-40NPT	Adapter 5" Storz lock x 4" NPT female rigid anodized	\$418.00
HSFR50-40NPT/Cap	Adapter 5" Storz lock with Cap/cable x 4" NPT female rigid anodized	\$587.00
HSFR50-40NPT/FTS	Adapter 5" Storz lock Full Time Swivel x 4" NPT female rigid anodized	\$660.00
HSFR50-40NPT/SAS	Adapter 5" Storz lock with screen x 4" NPT female rigid anodized	\$486.00
HSFR50-45NH	Adapter 5" Storz lock x 4.5" NH female rigid anodized	\$399.00
HSFR50-45NH/FTS	Adapter 5" Storz lock Full Time Swivel x 4.5" NH female rigid anodized	\$672.00
HSFR50-50NH	Adapter 5" Storz lock x 5" NH female rigid anodized	\$416.00
HSFR50-50NH/FTS	Adapter 5" Storz lock Full Time Swivel x 5" NH female rigid anodized	\$689.00
HSFR50-50NPSH	Adapter 5" Storz lock x 5" NPSH female rigid anodized	\$416.00



**Low Profile**







HSFR50-50NPT	Adapter 5" Storz lock x 5" NPT female rigid anodized	\$437.00
HSFR50-50NPT/Cap	Adapter 5" Storz lock with Cap/cable x 5" NPT female rigid anodized	\$606.00
HSFR50-60NH	Adapter 5" Storz lock x 6" NH female rigid anodized	\$547.00
HSFR50-60NH/FTS	Adapter 5" Storz lock Full Time Swivel x 6" NH female rigid anodized	\$820.00
HSFR50-60NPSH	Adapter 5" Storz lock x 6" NPSH female rigid anodized	\$547.00
HSFR50-60NPT	Adapter 5" Storz lock x 6" NPT female rigid anodized	\$460.00
HSFR50-60NPT/Cap	Adapter 5" Storz lock with Cap/cable x 6" NPT female rigid anodized	\$629.00
HSFR60-40NH	Adapter 6" Storz lock x 4" NH female rigid anodized	\$575.00
HSFR60-40NPSH	Adapter 6" Storz lock x 4" NPSH female rigid anodized	\$575.00
HSFR60-40NPT	Adapter 6" Storz lock x 4" NPT female rigid anodized	\$476.00
HSFR60-45NH	Adapter 6" Storz lock x 4.5" NH female rigid anodized	\$579.00
HSFR60-50NH	Adapter 6" Storz lock x 5" NH female rigid anodized	\$596.00
HSFR60-50NPSH	Adapter 6" Storz lock x 5" NPSH female rigid anodized	\$596.00
HSFR60-50NPT	Adapter 6" Storz lock x 5" NPT female rigid anodized	\$601.00
HSFR60-60NH	Adapter 6" Storz lock x 6" NH female rigid anodized	\$496.00
HSFR60-60NPSH	Adapter 6" Storz lock x 6" NPSH female rigid anodized	\$496.00
HSFR60-60NPT	Adapter 6" Storz lock x 6" NPT female rigid anodized	\$520.00
HSFR60-60NPT/Cap	Adapter 6" Storz lock with Cap/cable x 6" NPT female rigid anodized	\$792.00
HSLA-RED	Storz Lock Assembly Kit for 4", 5" and 6" Storz	\$36.00
HSAS-40	Stainless steel screen for 4" Storz	\$62.00
HSAS-50	Stainless steel screen for 5" Storz	\$68.00
HSAS-60	Stainless steel screen for 6" Storz	\$72.00



## HSMR - Storz x Male Rigid

Storz x Male Rigid Adapters - Anodized	HSMR	List
HSMR15-15NH	Adapter 1.5" Storz (38) x 1.5" NH male anodized	\$90.00
HSMR15-15NPSH	Adapter 1.5" Storz (38) x 1.5" NPSH male anodized	\$90.00
HSMR15-15NPT	Adapter 1.5" Storz (38) x 1.5" NPT male anodized	\$112.00
HSMR15-25NH	Adapter 1.5" Storz (38) x 2.5" NH male anodized	\$104.00
HSMR15-25NPT	Adapter 1.5" Storz (38) x 2.5" NPT male anodized	\$126.00
HSMR20-15NH	Adapter 2" Storz (52) x 1.5" NH male anodized	\$87.00
HSMR20-15NPSH	Adapter 2" Storz (52) x 1.5" NPSH male anodized	\$87.00
HSMR20-15NPT	Adapter 2" Storz (52) x 1.5" NPT male anodized	\$110.00
HSMR20-20BSP1	Adapter 2" Storz (52) x 2" BSP male anodized	\$86.00
HSMR20-25NH	Adapter 2" Storz (52) x 2.5" NH male anodized	\$98.00
HSMR25-15NH	Adapter 2.5" Storz (65) x 1.5" NH male anodized	\$122.00
HSMR25-25NH	Adapter 2.5" Storz (65) x 2.5" NH male anodized	\$100.00
HSMR25-25NPT	Adapter 2.5" Storz (65) x 2.5" NPT male anodized	\$123.00



Please note raw material shortages are causing longer than normal lead times on most items. We reserve the right to change prices without notice.

HSMR25-30NH	Adapter 2.5" Storz (65) x 3" NH male anodized	\$161.00
HSMR25-30NPSH	Adapter 2.5" Storz (65) x 3" NPSH male anodized	\$161.00
HSMR25-30NPT	Adapter 2.5" Storz (65) x 3" NPT male anodized	\$183.00
HSMR30-25NH	Adapter 3" Storz (75) x 2.5" NH male anodized	\$94.00
HSMR30-25NPT	Adapter 3" Storz (75) x 2.5" NPT male anodized	\$117.00
HSMR30-30NH	Adapter 3" Storz (75) x 3" NH male anodized	\$155.00
HSMR30-30NPSH	Adapter 3" Storz (75) x 3" NPSH male anodized	\$155.00
HSMR30-30NPT	Adapter 3" Storz (75) x 3" NPT male anodized	\$177.00
HSMR40-25BIM	Adapter 4" Storz lock x 2.5" BI male	\$295.00
HSMR40-25NH	Adapter 4" Storz lock x 2.5" NH male anodized	\$266.00
HSMR40-25NPSH	Adapter 4" Storz lock x 2.5" NPSH male anodized	\$266.00
HSMR40-25NPT	Adapter 4" Storz lock x 2.5" NPT male anodized	\$288.00
HSMR40-30NH	Adapter 4" Storz lock x 3" NH male anodized	\$272.00
HSMR40-30NPSH	Adapter 4" Storz lock x 3" NPSH male anodized	\$272.00
HSMR40-30NPT	Adapter 4" Storz lock x 3" NPT male anodized	\$294.00
HSMR40-35NH	Adapter 4" Storz lock x 3.5" NH male anodized	\$284.00
HSMR40-40BSP/SL	Adapter 4" Storz lock x 4" BSP male anodized	\$278.00
HSMR40-40NH	Adapter 4" Storz lock x 4" NH male anodized	\$280.00
HSMR40-40NPSH	Adapter 4" Storz lock x 4" NPSH male anodized	\$280.00
HSMR40-40NPT	Adapter 4" Storz lock x 4" NPT male anodized	\$303.00
HSMR40-40NPT/Cap	Adapter 4" Storz lock with Cap/cable x 4" NPT male anodized	\$449.00
HSMR40-40NPT	Adapter 4" Storz lock Part Time Swivel x 4" NPT male anodized	\$553.00
HSMR40-45NH	Adapter 4" Storz lock x 4.5" NH male anodized	\$338.00
HSMR40-50NH	Adapter 4" Storz lock x 5" NH male anodized	\$362.00
HSMR40-50NPSH	Adapter 4" Storz lock x 5" NPSH male anodized	\$362.00
HSMR40-50NPT	Adapter 4" Storz lock x 5" NPT male anodized	\$385.00
HSMR40-60NH	Adapter 4" Storz lock x 6" NH male anodized	\$367.00
HSMR40-60NPT	Adapter 4" Storz lock x 6" NPT male anodized	\$390.00
HSMR40-60NPT/Cap	Adapter 4" Storz lock with Cap/cable x 6" NPT male anodized	\$536.00
HSMR45-25NH (Storz 110)	Adapter 4.5" (110) Storz lock x 2.5" NH male anodized	\$231.00
HSMR45-25NPT (Storz 110)	Adapter 4.5" (110) Storz lock x 2.5" NPT male anodized	\$270.00
HSMR45-30NH (Storz 110)	Adapter 4.5" (110) Storz lock x 3" NH male anodized	\$253.00
HSMR45-30NPSH (Storz 110)	Adapter 4.5" (110) Storz lock x 3" NPSH male anodized	\$253.00
HSMR45-30NPT (Storz 110)	Adapter 4.5" (110) Storz lock x 3" NPT male anodized	\$276.00
HSMR45-40NPSH (Storz 110)	Adapter 4.5" (110) Storz lock x 4" NPSH male anodized	\$261.00
HSMR45-40NPT (Storz 110)	Adapter 4.5" (110) Storz lock x 4" NPT male anodized	\$284.00
HSMR45-45NH (Storz 110)	Adapter 4.5" (110) Storz lock x 4.5" NH male anodized	\$320.00
HSMR45-50NH (Storz 110)	Adapter 4.5" (110) Storz lock x 5" NH male anodized	\$338.00
HSMR45-60NH (Storz 110)	Adapter 4.5" (110) Storz lock x 5" NH male anodized	\$348.00



Special Threads available on request, cost as follows: Allow 4-5 weeks for special threads.

- All Special threads - \$15.00 net, each
- 1" to 3.5" NPT Threads - No Charge
- 4" and up NPT Threads - \$15.00 net, each



HSMR50-25NH	Adapter 5" Storz lock x 2.5" NH male anodized	\$360.00
HSMR50-25NPSH	Adapter 5" Storz lock x 2.5" NPSH male anodized	\$360.00
HSMR50-25NPT	Adapter 5" Storz lock x 2.5" NPT male anodized	\$365.00
HSMR50-30NH	Adapter 5" Storz lock x 3" NH male anodized	\$325.00
HSMR50-30NPSH	Adapter 5" Storz lock x 3" NPSH male anodized	\$325.00
HSMR50-30NPT	Adapter 5" Storz lock x 3" NPT male anodized	\$348.00
HSMR50-35NH	Adapter 5" Storz lock x 3.5" NH male anodized	\$335.00
HSMR50-35NPSH	Adapter 5" Storz lock x 3.5" NPSH male anodized	\$335.00
HSMR50-40BSP/SL	Adapter 5" Storz lock x 4" BSP male rigid anodized	\$334.00
HSMR50-40BSP4	Adapter 5" Storz lock Part Time Swivel x 4" BSP male anodized	\$351.00
HSMR50-40NH	Adapter 5" Storz lock x 4" NH male anodized	\$354.00
HSMR50-40NH/FTS	Adapter 5" Storz lock Full Time Swivel x 4" NH male anodized	\$627.00
HSMR50-40NPSH	Adapter 5" Storz lock x 4" NPSH male anodized	\$354.00
HSMR50-40NPT	Adapter 5" Storz lock x 4" NPT male anodized	\$376.00
HSMR50-40NPT/Cap	Adapter 5" Storz lock with Cap/cable x 4" NPT male anodized	\$545.00
HSMR50-45NH	Adapter 5" Storz lock x 4.5" NH male anodized	\$392.00
HSMR50-45NH/FTS	Adapter 5" Storz lock Full Time Swivel x 4.5" NH male anodized	\$665.00
HSMR50-50NH	Adapter 5" Storz lock x 5" NH male anodized	\$376.00
HSMR50-50NPSH	Adapter 5" Storz lock x 5" NPSH male anodized	\$376.00
HSMR50-50NPT	Adapter 5" Storz lock x 5" NPT male anodized	\$416.00
HSMR50-50NPT/Cap	Adapter 5" Storz lock with Cap/cable x 5" NPT male anodized	\$585.00
HSMR50-60NH	Adapter 5" Storz lock x 6" NH male anodized	\$456.00
HSMR50-60NPSH	Adapter 5" Storz lock x 6" NPSH male anodized	\$456.00
HSMR50-60NPT	Adapter 5" Storz lock x 6" NPT male anodized	\$479.00
HSMR50-60NPT/Cap	Adapter 5" Storz lock with Cap/cable x 6" NPT male anodized	\$648.00
HSMR60-40NH	Adapter 6" Storz lock x 4" NH male anodized	\$462.00
HSMR60-40NPT	Adapter 6" Storz lock x 4" NPT male anodized	\$561.00
HSMR60-45NH	Adapter 6" Storz lock x 4.5" NH male anodized	\$573.00
HSMR60-50NH	Adapter 6" Storz lock x 5" NH male anodized	\$496.00
HSMR60-50NPT	Adapter 6" Storz lock x 5" NPT male anodized	\$516.00
HSMR60-60NH	Adapter 6" Storz lock x 6" NH male anodized	\$503.00
HSMR60-60NPT	Adapter 6" Storz lock x 6" NPT male anodized	\$526.00
HSMR60-60NPT/Cap	Adapter 6" Storz lock with Cap/cable x 6" NPT male anodized	\$798.00



**Note: We offer a full range of British Instantaneous Fittings. Please contact us directly for pricing.**

## Flange Storz Adapters

Harrington Inc, Flange adapters are available in straight and 30 degree elbow Storz forgings. All adapters are hard coat anodized for corrosion resistance. Carbon steel flange is stripped and cleaned of any manufacturing oils or dirt providing a good base for primer adhesion. A Zinc rich primer coat is applied that seals the entire carbon steel flange. A powder coat finish is then applied to the flange - red or black  
The primer and top coat include the entire flange and is applied red flange to storz after threads have been cut. These adapters are available with Flat Face or Raised Face Flanges ideal for use in Fixed facilities, pump connections, or other permanent mounting for years of continued service.

## HFL-Flange x Storz Adapters

150# Flange x Storz Adapters Flat Face	HFL	List
HFL-FF-30-25ST/Cap	3" flat face 150# carbon steel flange x anodized aluminum 2.5" Storz (65) with Cap/cable	\$400.00
HFL-FF-30-30ST/Cap	3" flat face 150# carbon steel flange x anodized aluminum 3" Storz (75) with Cap/cable	\$407.00
HFL-FF-40-40ST/Cap	4" flat face 150# carbon steel flange x anodized aluminum 4" Storz lock with Cap/cable	\$552.00
HFL-FF-404030E/Cap	4" flat face 150# carbon steel flange x anodized aluminum 30° Elbow 4" Storz lock with Cap/cable	\$747.00
HFL-FF-40-50ST/Cap	4" flat face 150# carbon steel flange x anodized aluminum 5" Storz lock with Cap/cable	\$739.00
HFL-FF-405030E/Cap	4" flat face 150# carbon steel flange x anodized aluminum 30° Elbow 5" Storz lock with Cap/cable	\$864.00
HFL-FF-50-50ST/Cap	5" flat face 150# carbon steel flange x anodized aluminum 5" Storz lock with Cap/cable	\$953.00
HFL-FF-60-50ST/Cap	6" flat face 150# carbon steel flange x anodized aluminum 5" Storz lock with Cap/cable	\$950.00
HFL-FF-605030E/Cap	6" flat face 150# carbon steel flange x anodized aluminum 30° Elbow 5" Storz lock with Cap/cable	\$1,009.00
HFL-FF-60-60ST/Cap	6" flat face 150# carbon steel flange x anodized aluminum 6" Storz lock with Cap/cable	\$922.00
HFL-FF-606030E/Cap	6" flat face 150# carbon steel flange x anodized aluminum 30° Elbow 6" Storz lock with Cap/cable	\$1,237.00



150# Flange x Storz Adapters Raised Face	HFL	List
HFL-RF-40-40ST/Cap	4" raised face 150# carbon steel flange x anodized aluminum 4" Storz lock with Cap/cable	\$576.00
HFL-RF-404030E/Cap	4" raised face 150# carbon steel flange x anodized aluminum 30° Elbow 4" Storz lock with Cap/cable	\$777.00
HFL-RF-40-50ST/Cap	4" raised face 150# carbon steel flange x anodized aluminum 5" Storz lock with Cap/cable	\$732.00
HFL-RF-405030E/Cap	4" raised face 150# carbon steel flange x anodized aluminum 30° Elbow 5" Storz lock with Cap/cable	\$857.00
HFL-RF-50-50ST/Cap	5" raised face 150# carbon steel flange x anodized aluminum 5" Storz lock with Cap/cable	\$953.00
HFL-RF-60-50ST/Cap	6" raised face 150# carbon steel flange x anodized aluminum 5" Storz lock with Cap/cable	\$948.00
HFL-RF-605030E/Cap	6" raised face 150# carbon steel flange x anodized aluminum 30° Elbow 5" Storz lock with Cap/cable	\$1,005.00
HFL-RF-60-60ST/Cap	6" raised face 150# carbon steel flange x anodized aluminum 6" Storz lock with Cap/cable	\$921.00
HFL-RF-606030E/Cap	6" raised face 150# carbon steel flange x anodized aluminum 30° Elbow 6" Storz lock with Cap/cable	\$1,233.00





## Flange NH Male Adapters

Harrington Inc, Flange adapters are available in straight and 30 degree elbow NH Male & Female fittings. All adapters are hard coat anodized for corrosion resistance. Carbon steel flange is stripped and cleaned of any manufacturing oils or dirt providing a good base for primer adhesion. A Zinc rich primer coat is applied that seals the entire carbon steel flange. A powder coat finish is then applied to the flange - red or black. The primer and top coat include the entire flange and is applied red flange to storz after threads have been cut. These adapters are available with Flat Face or Raised Face Flanges ideal for use in Fixed facilities, pump connections, or other permanent mounting for years of continued service.



## Threaded Flange Adapters

Threaded 150# flanges Flat Face	Description	List
HFL-FF-40-45NHM	4" flat face 150# carbon steel flange x anodized aluminum 4.5" NH Male	\$400.00
HFL-FF-60-45NHM	6" flat face 150# carbon steel flange x anodized aluminum 4.5" NH Male	\$605.00
HFL-FF-60-60NHM	6" flat face 150# carbon steel flange x anodized aluminum 6" NH Male	\$590.00
HFL-FF-40-45NHFS	4" flat face 150# carbon steel flange x anodized aluminum 4.5" NH Female swivel rocker lug	\$450.00
HFL-FF-60-45NHFS	6" flat face 150# carbon steel flange x anodized aluminum 4.5" NH Female swivel rocker lug	\$610.00
HFL-FF-60-60NHFS	6" flat face 150# carbon steel flange x anodized aluminum 6" NH Female swivel rocker lug	\$500.00
Threaded 150# flanges Raised Face		
HFL-RF-40-45NHM	4" raised face 150# carbon steel flange x anodized aluminum 4.5" NH Male	\$400.00
HFL-RF-60-45NHM	6" raised face 150# carbon steel flange x anodized aluminum 4.5" NH Male	\$605.00
HFL-RF-60-60NHM	6" raised face 150# carbon steel flange x anodized aluminum 6" NH Male	\$590.00
HFL-RF-40-45NHFS	4" raised face 150# carbon steel flange x anodized aluminum 4.5" NH Female swivel rocker lug	\$450.00
HFL-RF-60-45NHFS	6" raised face 150# carbon steel flange x anodized aluminum 4.5" NH Female swivel rocker lug	\$610.00
HFL-RF-60-60NHFS	6" raised face 150# carbon steel flange x anodized aluminum 6" NH Female swivel rocker lug	\$500.00



**Note: We offer a full range of British Instantaneous Fittings. Please contact us directly for pricing.**

**Please note raw material shortages are causing longer than normal lead times on most items. We reserve the right to change prices without notice.**

**Special Threads available on request, cost as follows: Allow 4-5 weeks for special threads.**

- All Special threads - \$15.00 net, each
- 1" to 3.5" NPT Threads - No Charge
- 4" and up NPT Threads - \$15.00 net, each

## HSTS - Storz x Storz

Storz-To-Storz Adapters	HSTS	List
HSTS15-10R	Storz x Storz adapter 1.5" (38) x 1" (25) rigid	\$138.00
HSTS20-15R	Storz x Storz adapter 2" (52) x 1.5" (38) rigid	\$135.00
HSTS25-10R	Storz x Storz adapter 2.5" (65) x 1" (25) rigid	\$266.00
HSTS25-15R	Storz x Storz adapter 2.5" (65) x 1.5" (38) rigid	\$161.00
HSTS25-20R	Storz x Storz adapter 2.5" (65) x 2" (52) rigid	\$145.00
HSTS30-20R	Storz x Storz adapter 3" (75) x 2" (52) rigid	\$140.00
HSTS30-25R	Storz x Storz adapter 3" (75) x 2.5" (65) rigid	\$127.00
HSTS40-25R	Storz x Storz adapter 4" (100) x 2.5" (65) rigid	\$299.00
HSTS40-30R	Storz x Storz adapter 4" (100) x 3" (75) rigid	\$294.00
HSTS40-40/SAS	Storz x Storz adapter 4" (100) x 4" (100) with Storz adapter screen	\$518.00
HSTS45-25R (Storz 110)	Storz x Storz adapter 4.5" (110) x 2.5" (65) rigid	\$280.00
HSTS45-30R (Storz 110)	Storz x Storz adapter 4.5" (110) x 3" (75) rigid	\$275.00
HSTS45-40R (Storz 110)	Storz x Storz adapter 4.5" (110) x 4" (100) rigid	\$437.00
HSTS50-25R	Storz x Storz adapter 5" (125) x 2.5" (65) rigid	\$390.00
HSTS50-30R	Storz x Storz adapter 5" (125) x 3" (75) rigid	\$385.00
HSTS50-40R	Storz x Storz adapter 5" (125) x 4" (100) rigid	\$512.00
HSTS50-40/FTS	Storz x Storz adapter 5" (125) x 4" (100) full time swivel	\$785.00
HSTS50-45R (Storz 110)	Storz x Storz adapter 5" (125) x 4.5" (110) rigid	\$493.00
HSTS50-50/SAS	Storz x Storz adapter 5" (125) x 5" (125) rigid with Storz adapter screen	\$696.00
HSTS50-50/FTS	Storz x Storz adapter 5" (125) x 5" (100) full time swivel	\$901.00
HSTS60-25R	Storz x Storz adapter 6" (150) x 2.5" (65) rigid	\$517.00
HSTS60-30R	Storz x Storz adapter 6" (150) x 3" (75) rigid	\$512.00
HSTS60-40R	Storz x Storz adapter 6" (150) x 4" (100) rigid	\$605.00
HSTS60-45R (Storz 110)	Storz x Storz adapter 6" (150) x 4.5" (110) rigid	\$586.00
HSTS60-50R	Storz x Storz adapter 6" (150) x 5" (125) rigid	\$693.00
HSTS60-50/FTS	Storz x Storz adapter 6" (125) x 5" (100) full time swivel	\$966.00
HSTS60-60/SAS	Storz x Storz adapter 6" (150) x 6" (150) rigid with Storz adapter screen	\$827.00
HSTS80-60R	Storz x Storz adapter 8" (203) x 6" (150) rigid	\$3,137.00



## HSFR - Storz x Female BSP

Storz x BSP female adapters	HSFR-BSP	List
HSFR10-050BSP1	Storz x BSP female 1" Storz (25) x 0.5" BSP female rigid	\$41.00
HSFR10-10BSP1	Storz x BSP female 1" Storz (25) x 1" BSP female rigid	\$31.00
HSFR15-15BSP1	Storz x BSP female 1.5" Storz (38) x 1.5" BSP female rigid	\$47.00
HSFR15-15BSPB	Storz x BSP female 1.5" Storz (38) x 1.5" BSP female rigid Brass	\$103.00
HSFR15-20BSP1	Storz x BSP female 1.5" Storz (38) x 2" BSP female rigid	\$92.00
HSFR20-15BSP1	Storz x BSP female 2" Storz (52) x 1.5" BSP female rigid	\$55.00
HSFR20-20BSP1	Storz x BSP female 2" Storz (52) x 2" BSP female rigid	\$39.00
HSFR25-15BSP1	Storz x BSP female 2.5" Storz (65) x 1.5" BSP female rigid	\$96.00
HSFR25-20BSP1	Storz x BSP female 2.5" Storz (65) x 2" BSP female rigid	\$51.00
HSFR25-25BSP1	Storz x BSP female 2.5" Storz (65) x 2.5" BSP female rigid	\$50.00
HSFR25-30BSP	Storz x BSP female 2.5" Storz (65) x 3" BSP female rigid	\$136.00
HSFR30-20BSP1	Storz x BSP female 3" Storz (75) x 2" BSP female rigid	\$65.00
HSFR30-25BSP	Storz x BSP female 3" Storz (75) x 2.5" BSP female rigid	\$44.00
HSFR30-25BSP1 (DIN 14 308)	Storz x BSP female 3" Storz (75) x 2.5" BSP female rigid (DIN 14 308)	\$44.00





HSFR30-30BSP1	Storz x BSP female 3" Storz (75) x 3" BSP female rigid	\$50.00
HSFR30-30BSP/SL	Storz x BSP female 3" Storz (75) with lock x 2.5" BSP female rigid	\$137.00
HSFR40-25BSP	Storz x BSP female 4" Storz (100) with lock x 2.5" BSP female rigid anodized	\$300.00
HSFR40-40BSP4N	Storz x BSP female 4" Storz (100) with lock x 4" BSP female rigid Anodized (Harrington)	\$190.00
HSFR40-50BSP/SL	Storz x BSP female 4" Storz (100) with lock x 5" BSP female rigid Anodized (Harrington)	\$303.00
HSFR40-60BSP/SL	Storz x BSP female 4" Storz (100) with lock x 6" BSP female rigid Anodized (Harrington)	\$392.00
HSFR45-40BSP/SL	Storz x BSP female 4.5" Storz (110) with lock x 4" BSP female rigid	\$170.00
HSFR45-50BSP/SL (Storz 110)	Storz x BSP female 4.5" Storz (110) with lock x 5" BSP female rigid	\$313.00
HSFR50-40BSP/SL	Storz x BSP female 5" Storz (125) with lock x 4" BSP female rigid Anodized (Harrington)	\$321.00
HSFR50-40BSP/FTS	Storz x BSP female 5" Storz (125) with lock Full Time Swivel x 4" BSP female rigid anodized	\$597.00
HSFR50-50BSP5N	Storz x BSP female 5" Storz (125) with lock x 5" BSP female rigid Anodized (Harrington)	\$265.00
HSFR50-60BSP/SL	Storz x BSP female 5" Storz (125) with lock x 6" BSP female rigid Anodized (Harrington)	\$418.00
HSFR60-40BSP/SL	(3) lug Storz x BSP female 6" Storz (150) with lock x 4" BSP female Anodized	\$397.00
HSFR60-50BSP/SL	(3) lug Storz x BSP female 6" Storz (150) with lock x 5" BSP female rigid Anodized	\$470.00
HSFR60-60BSP6F	(3) lug Storz x BSP female 6" Storz (150) with lock x 6" BSP female rigid Anodized	\$336.00
HSFR80-80BSP-US	(3) lug Storz x BSP female 8" Storz (205) with lock x 8" BSP female rigid Anodized	\$1,939.00

## Storz Accessories

### HSAS - Storz Adapter Screens

HSAS - Storz Adapter Screens	HSAS	List
HSAS-40	Stainless steel screen for 4" Storz	\$62.00
HSAS-50	Stainless steel screen for 5" Storz	\$68.00
HSAS-60	Stainless steel screen for 6" Storz	\$72.00

### HBC - Storz Blind Caps

Storz Blind Caps	HBC	List
HBC-10	1" Storz (25) blind cap with chain	\$33.00
HBC-15	1.5" Storz (38) blind cap with chain	\$48.00
HBC-20	2" Storz (52) blind cap with chain	\$38.00
HBC-25	2.5" Storz (65) blind cap with chain	\$42.00
HBC-30	3" Storz (75) blind cap with chain	\$51.00
HBC-40	4" Storz (100) blind cap with chain Anodized (AWG)	\$146.00
HBC-40-PC	4" Storz (100) blind cap with 1/4" bleeder petcock	\$307.00
HBC-40-US	4" Storz (100) blind cap with cable Clear Anodized (short) (Harrington)	\$198.00
HBC-40D-US	4" Storz (100) blind cap with cable Dark Anodized (short) (Harrington)	\$203.00
HBC-45	4.5" Storz (110) blind cap with chain	\$153.00

HBC-50	5" Storz (125) blind cap with chain Anodized (AWG)	\$180.00
HBC-50-PC	5" Storz (125) blind cap with 1/4" bleeder petcock	\$375.00
HBC-50-PC8	5" Storz (125) blind cap with 1/8" bleeder petcock & with cable	\$336.00
HBC-50-US	5" Storz (125) blind cap with cable Clear Anodized (short) (Harrington)	\$251.00
HBC-50D-US	5" Storz (125) blind cap with cable Dark Anodized (short) (Harrington)	\$281.00
HBC-60	6" Storz (150) blind cap [(3) lugs] with chain Anodized	\$272.00
HBC-60-PC	6" Storz (150) blind cap [(3) lugs] with 1/4" bleeder petcock	\$384.00
HBC-80-US	8" Storz (205) blind cap [(3) lugs] with chain Anodized	\$2,295.00



hard coat anodizing to Military Specification, Type 3.

### HTPB-US - 3 Lug Storz Couplings

Domestic 3 Lug Storz couplings machined from a single piece for extruded 6061-T6 aluminum from right here in the U.S.A. Come with two 3-part 2 bolt segment bindings Utilizes recessed nut and bolt design to eliminate stripping of segments. Shanks are hard coat anodized to Military specification Type 3. Segment collars are not anodized, but can be anodized for extra cost. **Working pressures up to 250 psi.**

HTPB-US - 3 Lug Storz Couplings.	HTPB 2-bolt sets	List
HTPB-80SET-2BX-US	Storz hose coupling 8" (205) with lock and 2 bolt, 3-segment binding (set of two)	call
HTPB-100SET-2BX-US	Storz hose coupling 10" (250) with lock and 2 bolt, 3-segment binding (set of two)	call
HTPB-120SET-2BX-US	Storz hose coupling 12" (305) with lock and 2 bolt, 3-segment binding (set of two)	call
Pry Bars	6061-T6 aluminum, 7/8" diameter, 18" Long assist wrench(set of two)	\$144.00



### HVC - Harrington "V-Groove" Shank Couplings

"V-Groove" couplings for quick and secure attachment for 8" and 10" hose. Made #6061-T anodized aluminum, "V-Groove" coupling collars are tapered for anti-snag. "V-Groove" design accepts existing Groove couplings. Segments are secured with 2 sets of nuts and bolts to assure there are no stripped segments. Shanks are hard coat anodized to Military specification Type 3. Segment collars are not anodized, but can be anodized for extra cost. Made in the U.S.A. Optional hose sleeve available for easy coupling alignment.

**Working pressure -200 psi**

"V-Groove" Coupling Sets	HVC	List
HVC-80SET-2BX-US	"V-Groove" hose coupling 8" anodized shank with 2-Bolt, 3 part segment binding (two ends)	call
HVC-100SET-2BX-US	"V-Groove" hose coupling 10" anodized shank with 2-Bolt, 3 part segment binding (two ends)	call
HVC-120SET-2BX-US	"V-Groove" Hose coupling 12" anodized shank with 2-Bolt, 3 part segment binding(two ends)	call
HVC-80CS	8" anodized connecting sleeve for "V-Groove" couplings	call
HVC-100CS	10" anodized connecting sleeve for "V-Groove" couplings	call
HVC-120CS	12" anodized connecting sleeve for "V-Groove" couplings	call



### British Instantaneous Fittings

HBI	Full range of British Instantaneous Fittings	call
-----	----------------------------------------------	------

**Note: We offer a full range of British Instantaneous Fittings. Please contact us directly for pricing.**



### HMLC - MultiLug Coupling with three part binding.

Set includes two hose couplings with three part segment bindings. A key feature is it only requires 1/4" to lock lugs in place. Couplings are cast aluminum then fine machined. Easy to assemble/disassemble onto LDH hose using an Allen wrench. Utilizes recessed nut and bolt design to eliminate stripping of the segments. A total of 12 lugs with spring loaded locks assures coupling remain attached.

**Working pressures to 240 psi.**



Multilug	Couplings, Adapters & Caps	List
HMLC-100SET	MultiLug hose coupling 10" pressure use hard anodized including segment bindings (set of two)	call
HMLC-120SET	MultiLug hose coupling 12" pressure use hard anodized including segment bindings (set of two)	call

### HMLA - MultiLug Adapters and Caps

MultiLug Adapters are easy to assemble and include spring loaded locks for 10" and 12" connections. BSP threads allow for attaching to various coupling options and adapters



Multilug	Adapters & Caps	List
HMLA100-100BSPF	Multilug adapter 10" x 10" BSP female	call
HMLA120-120BSPF	Multilug adapter 12" x 12" BSP female	call
HMLBC-100	Multilug Blind Cap 10"	call
HMLBC-120	Multilug Blind Cap 12"	call

### H37- Female Rocker Lug w/Bleeder Valve



H37- Female Rocker Lug	List
H37-25NHM-25NH/BV	2.5" NH male x 2.5" NH female rigid rocker lug with bleeder valve (H37BLEEDER) \$212.00

## Mounting Brackets

### HSMB - Storz Mounting Brackets

Storz mounting brackets for secure mounting of Storz appliances and adapters. Available in sizes 1.5" to 5" with quick quarter turn design.



Storz Mounting Brackets	HSMB	List
HSMB-15-25	Storz mounting bracket 1.5" (38) and 2.5" (65)	\$84.00
HSMB-20-30	Storz mounting bracket 2" (52) and 3" (75) POM gray	\$20.00
HSMB-40	Storz mounting bracket 4" (100)	\$68.00
HSMB-50	Storz mounting bracket 5" (125)	\$70.00
HSMB-50-45	Storz mounting bracket for Storz 110 POM gray	\$25.00
HSMB-60	Storz mounting bracket 6" (150)	\$110.00

Please note raw material shortages are causing longer than normal lead times on most items. We reserve the right to change prices without notice.



### HPM - Post Mount for Manifolds and Hydrant Valves

Mount your high quality Harrington Inc. valve or manifold to your apparatus where it can be accessed quickly, easily and safely with this post mount.



HPM - Post Mount for Manifolds and Hydrant Valves	LIST
HPM-HV	Post mount for H700 Hydrant Valves \$338.00
HPM-M	Post mount for H301 and H400 Manifolds \$338.00

### HTMB - Threaded Mounting Brackets

Harrington Threaded Mounting Brackets give you a way to secure your threaded adapters. Available for male and female NH threaded adapters from sizes of 1" up to 6".

Threaded Mounting Brackets	HTMB	List
Male NH threads		
HTMB-10NHM	1" NH Male mounting bracket	\$58.00
HTMB-15NHM	1.5" NH Male mounting bracket	\$58.00
HTMB-20NHM	2" NH Male mounting bracket	\$62.00
HTMB-25NHM	2.5" NH Male mounting bracket	\$62.00
HTMB-30NHM	3" NH Male mounting bracket	\$137.00
HTMB-35NHM	3.5" NH Male mounting bracket	\$157.00
HTMB-40NHM	4" NH Male mounting bracket	\$177.00
HTMB-45NHM	4.5" NH Male mounting bracket	\$198.00
HTMB-50NHM	5" NH Male mounting bracket	\$212.00
HTMB-60NHM	6" NH Male mounting bracket	\$200.00
Female NH Threads		
HTMB-10NHFS	1" NH Female	\$82.00
HTMB-15NHFS	1.5" NH Female	\$82.00
HTMB-20NHFS	2" NH Female	\$82.00
HTMB-25NHFS	2.5" NH Female	\$89.00
HTMB-30NHFS	3" NH Female	\$201.00
HTMB-35NHFS	3.5" NH Female	\$235.00
HTMB-40NHFS	4" NH Female	\$262.00
HTMB-45NHFS	4.5" NH Female	\$276.00
HTMB-50NHFS	5" NH Female	\$293.00
HTMB-60NHFS	6" NH Female	\$317.00



Special Threads available on request, cost as follows: Allow 4-5 weeks for special threads.

- All Special threads - \$15.00 net, each
- 1" to 3.5" NPT Threads - No Charge
- 4" and up NPT Threads - \$15.00 net, each

## HSSW - Spanner Wrenches

Spanner wrenches for easy disconnecting/connecting of Storz couplings. Wrench has a long handle for added leverage, light weight material. Specify the wrench for size of couplings.

	Spanner Wrenches	HSSW & HHSW	List
1	HHSW-100	4"-5" Universal Hydrant Spanner	\$149.00
2	HSSW-101	2.5"-5" Single end spanner	\$54.00
3	HSSW-15-25	1.5"-2.5" Single end spanner	\$47.00
4	HSSW-20-30	2", 2.5", 3" Single end spanner	\$39.00
5	HSSW-201	(2) HSSW-101 spanners with holder	\$197.00
6	HSMB-100	Standard Spanner Holder	\$89.00
7	HSSW-41-61	4"-6" Single end spanner	\$43.00
8	HSSW-401	(4) HSSW-101 spanners with holder	\$305.00
9	HSMB-100	Mounting bracket for HSSW-201 and HSSW-401	\$89.00
10	HSSW-501	(4) HSSW -41-61 spanners with holder	\$276.00
11	HSMB-41-61	Single end spanner holder	\$104.00
12	HSSW-501-HSW	(4) HSSW-41-61 & 1 HHSW -100 spanners w/ holder	\$534.00
13	HSMB-41-61-HSW	Single end Spanner w/ HSW Spanner holder	\$213.00
14	HSSW-50-60	5"-6" Single end spanner	\$86.00
15	HSW-25NH	2.5" NH spanner	\$61.00
16	HSW-HW	Adjustable hydrant nut spanner	\$119.00
17	HSWS-25-100	(2) 2.5" NH spanners, (1) HHSW-100 spanner with mounting bracket	\$440.00
18	HSMB-25-1	Mounting bracket for HSWS-25-100 spanner set	\$169.00
19	HSWS-25	(2) HSW=25NH spanners w/ holder	\$263.00
20	HSMB-25	Spanner Wrench Bracket	\$141.00
21	HSWS-25-HW	2 HSW-25NH spanners & HSW-HW spanner w/ holder	\$410.00
22	HWS-HW-HD	Adjustable wrench for pentagon nuts up to 1.75" or square nuts up to 1.25"	\$66.00
23	HHW-RAC	Harrington ratchet hydrant wrench fits pentagon nuts or square nuts	\$490.00
24	PRY BARS	Tools for connecting 8", 10, and 12" Storz couplings and adapters	\$144.00



## HHR - Hose Rollers

Field tested hose roller with full 90 degree opening, flattens fire hoses up to 5" in diameter and squeezes out water, ice and air. The heavy duty roller is made of aluminum construction but still light weight, weighing under 5 pounds.

The roller measures 2"x4"x 22" long.

Hose Rollers	HHR	List
HHR-1	One-Man Hose Roller	\$335.00
HHR-2	Two-Man Hose Roller	\$297.00

## HHW - Hose Washers

Accommodates hoses up to 5" using incoming inlet pressure of only 60 PSI. Self feeding design.

Hose washers measures 13"x10"x10" and weighs 16lbs

Hose Washers	HHW	List
HHW-300-15NH	Hose washer for up to 3" hose 1.5" NH female swivel rocker lug inlet	\$1,215.00
HHW-300-15NPSH	Hose washer for up to 3" hose 1.5" NPSH female swivel rocker lug inlet	\$1,215.00
HHW-300-25NH	Hose washer for up to 3" hose 2.5" NH female swivel rocker lug inlet	\$1,246.00
HHW-300-25NPSH	Hose washer for up to 3" hose 2.5" NPSH female swivel rocker lug inlet	\$1,246.00
HHW-500-25NH	Hose washer for up to 5" hose 2.5" NH female swivel rocker lug inlet	\$2,301.00

## HWS - Water Shields

Stable water curtain nozzle for unmanned protection of threatened buildings, gaseous hazards, or cooling situations. Specify 1.5" (210 GPM) or 2.5" (370 GPM) at 75 PSI models.p

Water Shields	HWS	List
HWS-15NH	Water curtain nozzle 1.5" 210 gpm @ 75 PSI x 1.5" NH female swivel rocker lug	\$371.00
HWS-15NPSH	Water curtain nozzle 1.5" 210 gpm @ 75 PSI x 1.5" NPSH female swivel rocker lug	\$371.00
HWS-25BIF	Water curtain nozzle 2.5" 370 gpm @ 75 PSI x 2.5" BI female	\$487.00
HWS-25BIM	Water curtain nozzle 2.5" 370 gpm @ 75 PSI x 2.5" BI male	\$400.00
HWS-25NH	Water curtain nozzle 2.5" 370 gpm @ 75 PSI x 2.5" NH female swivel rocker lug	\$443.00

## Haz Mat Reducer

1.5" NH female reducer with 2 or 4 garden hose adapter shutoffs to use for cleaning tools and to allow the use of garden hose spray wands for decon.

NH to Garden Hose adapter	Reducer adapter	H37	List
H37-2XGHT-15NH	1.5" NH-female with 2 each garden hose males with shutoffs, aluminum reducer with brass shut offs		\$112.00
H37-4XGHT-15NH	1.5" NH-female with 4 each garden hose males with shutoffs, aluminum reducer with brass shut offs		\$156.00
H37-2XGHT-25NH	2.5" NH-female with 2 each garden hose males with shutoffs, aluminum reducer with brass shut offs		\$163.00



# Storz Seals and Thread Gaskets



Gaskets	Storz, NH & BSP Gaskets	List
<b>Suction</b>		
HSSS-10	1" Storz (25) suction seal	\$5.00
HSSS-15	1.5" Storz (38) suction seal	\$7.00
HSSS-20	2" Storz (52) suction seal	\$7.00
HSSS-25	2.5" Storz (65) suction seal	\$11.00
HSSS-30	3" Storz (75) suction seal	\$11.00
HSSS-40	4" Storz (100) suction seal	\$26.00
HSSS-45	4.5" Storz (110) suction seal	\$26.00
HSSS-50	5" Storz (125) suction seal	\$29.00
HSSS-60	6" Storz (150) suction seal	\$33.00
<b>Pressure</b>		
HSPS-20	2" Storz (52) pressure seal	\$6.00
HSPS-25	2.5" Storz (65) pressure seal	\$6.00
HSPS-30	3" Storz (75) pressure seal	\$6.00
HSPS-40	4" Storz (100) pressure seal	\$12.00
HSPS-50	5" Storz (125) pressure seal	\$17.00
HSPS-60	6" Storz (150) pressure seal	\$37.00
<b>NH</b>		
HNHG-10	1" NH gasket	\$2.00
HNHG-15	1.5" NH gasket	\$3.00
HNHG-20	2" NH gasket	\$4.00
HNHG-25	2.5" NH gasket	\$4.00
HNHG-30	3" NH gasket	\$4.00
HNHG-35	3.5" NH gasket	\$4.00
HNHG-40	4" NH gasket	\$4.00
HNHG-45	4.5" NH gasket	\$7.00
HNHG-50	5" NH gasket	\$8.00
HNHG-60	6" NH gasket	\$10.00
<b>BSP</b>		
HBSPG-10	1" BSP gasket	\$2.00
HBSPG-15	1.5" BSP gasket	\$3.00
HBSPG-20	2" BSP gasket	\$3.00
HBSPG-25	2.5" BSP gasket	\$3.00
HBSPG-30	3" BSP gasket	\$4.00
HBSPG-40	4" BSP gasket	\$4.00
HBSPG-45	4.5" BSP gasket	\$5.00
HBSPG-50	5" BSP gasket	\$5.00
HBSPG-60	6" BSP gasket	\$6.00

# Threaded Adapters

## H35 - Female Swivel RL x Female Swivel RL Dark Anodized

Threaded adapters available from 1.5" to 12". All adapters provide the necessary safety features for municipal fire fighting. Storz adapters 4" and larger feature a locking mechanism. British instantaneous adapters, NST adapters and other European adapters are available upon request. All threaded adapters are hard coated to military spec. Type 3 and made from aircraft #6061-T light weight aluminum. All female swivels utilize stainless steel ball bearing or aluminum roller bearings, no plastic.



Identify your adapters with Fire Dept. name or station number. Laser etching available at "No Charge".



		NH Female Swivel Rockerlug									
		1"	1.5"	2"	2.5"	3"	3.5"	4"	4.5"	5"	6"
NH Female Swivel Rockerlug	1"	H35-10NH-10NH									
		\$62.00									
	1.5"	H35-15NH-10NH	H35-15NH-15NH								
		\$108.00	\$77.00								
	2"		H35-20NH-15NH	H35-20NH-20NH							
			\$107.00	\$107.00							
	2.5"		H35-25NH-15NH	H35-25NH-20NH	H35-25NH-25NH						
			\$120.00	\$118.00	\$102.00						
	3"				H35-30NH-25NH	H35-30NH-30NH					
					\$223.00	\$185.00					
	3.5"				H35-35NH-25NH	H35-35NH-30NH	H35-35NH-35NH				
					\$302.00	\$328.00	\$302.00				
4"				H35-40NH-25NH	H35-40NH-30NH	H35-40NH-35NH	H35-40NH-40NH				
				\$307.00	\$357.00	\$371.00	\$384.00				
4.5"				H35-45NH-25NH	H35-45NH-30NH	H35-45NH-35NH	H35-45NH-40NH	H35-45NH-45NH			
				\$391.00	\$408.00	\$397.00	\$383.00	\$344.00			
5"				H35-50NH-25NH	H35-50NH-30NH	H35-50NH-35NH	H35-50NH-40NH	H35-50NH-45NH	H35-50NH-50NH		
				\$459.00	\$505.00	\$513.00	\$582.00	\$702.00	\$558.00		
6"				H35-60NH-25NH	H35-60NH-30NH	H35-60NH-35NH	H35-60NH-40NH	H35-60NH-45NH	H35-60NH-50NH	H35-60NH-60NH	
				\$794.00	\$741.00	\$722.00	\$712.00	\$722.00	\$650.00	\$586.00	
		With NPSH Thread									
		H35-15NH-15NPSH/PLUG	H35-15NPSH-15NPSH	H35-25NPSH-25NPSH							
		\$128.00	\$77.00	\$102.00							

Please note raw material shortages are causing longer than normal lead times on most items. We reserve the right to change prices without notice.

### H36 - Double Male Rocker Lug Adapters Dark Anodized

Threaded adapters available from 1.5" to 12". All adapters provide the necessary safety features for municipal fire fighting. Storz adapters 4" and larger feature a locking mechanism. British instantaneous adapters, NST adapters and other European adapters are available upon request. All threaded adapters are hard coated to military spec. Type 3 and made from aircraft #6061-T light weight aluminum. All female swivels utilize stainless steel ball bearing or aluminum roller bearings, no plastic.

Identify your adapters with Fire Dept. name or station number. Laser etching available at "No Charge".



		NH Male Rocker lug										
		GHT	1	1.5	2	2.5	3	3.5	4	4.5	5	6
NH Male Rocker lug	1	H36-10NH-GHT	H36-10NH-10NH									
		\$47.00	\$52.00									
	1.5	H36-15NH-GHT	H36-15NH-10NH	H36-15NH-15NH								
		\$103.00	\$98.00	\$41.00								
	2	H36-20NH-GHT	H36-20NH-10NH	H36-20NH-15NH	H36-20NH-20NH							
		\$103.00	\$99.00	\$79.00	\$82.00							
	2.5	H36-25NH-GHT	H36-25NH-10NH	H36-25NH-15NH	H36-25NH-20NH	H36-25NH-25NH						
		\$104.00	\$99.00	\$87.00	\$118.00	\$58.00						
	3				H36-30NH-20NH	H36-30NH-25NH	H36-30NH-30NH					
					\$217.00	\$154.00	\$143.00					
	3.5					H36-35NH-25NH	H36-35NH-30NH	H36-35NH-35NH				
						\$214.00	\$278.00	\$236.00				
4					H36-40NH-25NH	H36-40NH-30NH	H36-40NH-35NH	H36-40NH-40NH				
					\$242.00	\$326.00	\$275.00	\$262.00				
4.5					H36-45NH-25NH	H36-45NH-30NH	H36-45NH-35NH	H36-45NH-40NH	H36-45NH-45NH			
					\$268.00	\$320.00	\$305.00	\$360.00	\$286.00			
5					H36-50NH-25NH	H36-50NH-30NH	H36-50NH-35NH	H36-50NH-40NH	H36-50NH-45NH	H36-50NH-50NH		
					\$561.00	\$733.00	\$696.00	\$373.00	\$381.00	\$312.00		
6					H36-60NH-25NH	H36-60NH-30NH	H36-60NH-35NH	H36-60NH-40NH	H36-60NH-45NH	H36-60NH-50NH	H36-60NH-60NH	
					\$592.00	\$592.00	\$611.00	\$466.00	\$450.00	\$371.00	\$504.00	
		With NPSH										
		H36-15NPSH-15NPSH										
		\$41.00										

**Special Threads available on request, cost as follows: Allow 4-5 weeks for special threads.**

- All Special threads - \$15.00 net, each
- 1" to 3.5" NPT Threads - No Charge
- 4" and up NPT Threads - \$15.00 net, each

### H37 - Male x Female Rigid Rocker Lug Adapters Dark Anodized

Threaded adapters available from 1.5" to 12". All adapters provide the necessary safety features for municipal fire fighting. Storz adapters 4" and larger feature a locking mechanism. British instantaneous adapters, NST adapters and other European adapters are available upon request. All threaded adapters are hard coated to military spec. Type 3 and made from aircraft #6061-T light weight aluminum. All female swivels utilize stainless steel ball bearing or aluminum roller bearings, no plastic.

Identify your adapters with Fire Dept. name or station number. Laser etching available at "No Charge".



		NH Female Rigid										
		GHT	1	1.5	2	2.5	3	3.5	4	4.5	5	6
NH Male	GHTM	H37-GHTM-GHT	H37-GHTM-10NH	H37-GHTM-15NH	H37-GHTM-20NH	H37-GHTM-25NH						
		\$57.00	\$57.00	\$62.00	\$100.00	\$114.00						
	1	H37-10NHM-GHT	H37-10NHM-10NH	H37-10NHM-15NH	H37-10NHM-20NH	H37-10NHM-25NH						
		\$90.00	\$52.00	\$68.00	\$92.00	\$111.00						
	1.5	H37-15NHM-GHT	H37-15NHM-10NH	H37-15NHM-15NH	H37-15NHM-20NH	H37-15NHM-25NH	H37-15NHM-30NH	H37-15NHM-35NH				
		\$67.00	\$67.00	\$60.00	\$67.00	\$76.00	\$198.00	\$228.00				
	2	H37-20NHM-GHT	H37-20NHM-10NH	H37-20NHM-15NH	H37-20NHM-20NH	H37-20NHM-25NH	H37-20NHM-30NH					
		\$92.00	\$95.00	\$60.00	\$92.00	\$74.00	\$215.00					
	2.5	H37-25NHM-GHT	H37-25NHM-10NH	H37-25NHM-15NH	H37-25NHM-20NH	H37-25NHM-25NH	H37-25NHM-30NH	H37-25NHM-35NH	H37-25NHM-40NH	H37-25NHM-45NH	H37-25NHM-50NH	H37-25NHM-60NH
		\$98.00	\$95.00	\$77.00	\$100.00	\$72.00	\$150.00	\$160.00	\$272.00	\$315.00	\$396.00	\$824.00
	3			H37-30NHM-15NH	H37-30NHM-20NH	H37-30NHM-25NH	H37-30NHM-30NH	H37-30NHM-35NH	H37-30NHM-40NH	H37-30NHM-45NH	H37-30NHM-50NH	H37-30NHM-60NH
				\$202.00	\$207.00	\$129.00	\$145.00	\$325.00	\$346.00	\$396.00	\$398.00	\$783.00
3.5					H37-35NHM-25NH	H37-35NHM-30NH	H37-35NHM-35NH	H37-35NHM-40NH	H37-35NHM-45NH	H37-35NHM-50NH	H37-35NHM-60NH	
					\$155.00	\$317.00	\$275.00	\$349.00	\$383.00	\$423.00	\$797.00	
4					H37-40NHM-25NH	H37-40NHM-30NH	H37-40NHM-35NH	H37-40NHM-40NH	H37-40NHM-45NH	H37-40NHM-50NH	H37-40NHM-60NH	
					\$278.00	\$341.00	\$339.00	\$313.00	\$271.00	\$393.00	\$547.00	
4.5					H37-45NHM-25NH	H37-45NHM-30NH	H37-45NHM-35NH	H37-45NHM-40NH	H37-45NHM-45NH	H37-45NHM-50NH	H37-45NHM-60NH	
					\$291.00	\$414.00	\$387.00	\$405.00	\$392.00	\$462.00	\$587.00	
5					H37-50NHM-25NH	H37-50NHM-30NH	H37-50NHM-35NH	H37-50NHM-40NH	H37-50NHM-45NH	H37-50NHM-50NH	H37-50NHM-60NH	
					\$338.00	\$461.00	\$401.00	\$453.00	\$487.00	\$443.00	\$557.00	
6					H37-60NHM-25NH	H37-60NHM-30NH	H37-60NHM-35NH	H37-60NHM-40NH	H37-60NHM-45NH	H37-60NHM-50NH	H37-60NHM-60NH	
					\$485.00	\$495.00	\$550.00	\$595.00	\$602.00	\$673.00	\$746.00	
		Haz Mat Reducer					With NPSH Thread					
		H37-2XGHTM-15NH	H37-4XGHTM-15NH	H37-2XGHTM-25NH		H37-15NPSHM-25NH						
		\$112.00	\$156.00	\$163.00		\$76.00						



## H53 - Female Swivel RL x Female Rigid Dark Anodized

Threaded adapters available from 1.5" to 12". All adapters provide the necessary safety features for municipal fire fighting. Storz adapters 4" and larger feature a locking mechanism. British instantaneous adapters, NST adapters and other European adapters are available upon request. All threaded adapters are hard coated to military spec. Type 3 and made from aircraft #6061-T light weight aluminum. All female swivels utilize stainless steel ball bearing or aluminum roller bearings, no plastic.

Identify your adapters with Fire Dept. name or station number. Laser etching available at "No Charge".



## H53L - Female Swivel LH x Female Rigid Dark Anodized

Threaded adapters available from 1.5" to 12". All adapters provide the necessary safety features for municipal fire fighting. Storz adapters 4" and larger feature a locking mechanism. British instantaneous adapters, NST adapters and other European adapters are available upon request. All threaded adapters are hard coated to military spec. Type 3 and made from aircraft #6061-T light weight aluminum. All female swivels utilize stainless steel ball bearing or aluminum roller bearings, no plastic.

Identify your adapters with Fire Dept. name or station number. Laser etching available at "No Charge".



		NH Female Rigid								
		1.5	2	2.5	3	3.5	4	4.5	5	6
NH Female Swivel Rocker Lug	1.5	H53-15NH-15NH	H53-15NH-20NH	H53-15NH-25NH						
		\$91.00	\$108.00	\$134.00						
	2	H53-20NH-15NH	H53-20NH-20NH	H53-20NH-25NH						
		\$117.00	\$117.00	\$182.00						
	2.5	H53-25NH-15NH	H53-25NH-20NH	H53-25NH-25NH	H53-25NH-30NH	H53-25NH-35NH	H53-25NH-40NH	H53-25NH-45NH	H53-25NH-50NH	H53-25NH-60NH
		\$156.00	\$187.00	\$199.00	\$265.00	\$320.00	\$291.00	\$410.00	\$714.00	\$846.00
	3			H53-30NH-25NH	H53-30NH-30NH	H53-30NH-35NH	H53-30NH-40NH	H53-30NH-45NH	H53-30NH-50NH	H53-30NH-60NH
				\$268.00	\$252.00	\$389.00	\$503.00	\$543.00	\$672.00	\$802.00
	3.5			H53-35NH-25NH	H53-35NH-30NH	H53-35NH-35NH	H53-35NH-40NH	H53-35NH-45NH	H53-35NH-50NH	H53-35NH-60NH
				\$320.00	\$389.00	\$447.00	\$624.00	\$709.00	\$746.00	\$1,040.00
	4			H53-40NH-25NH	H53-40NH-30NH	H53-40NH-35NH	H53-40NH-40NH	H53-40NH-45NH	H53-40NH-50NH	H53-40NH-60NH
				\$326.00	\$445.00	\$630.00	\$545.00	\$643.00	\$857.00	\$868.00
4.5			H53-45NH-25NH	H53-45NH-30NH	H53-45NH-35NH	H53-45NH-40NH	H53-45NH-45NH	H53-45NH-50NH	H53-45NH-60NH	
			\$456.00	\$522.00	\$672.00	\$575.00	\$588.00	\$827.00	\$974.00	
5			H53-50NH-25NH	H53-50NH-30NH	H53-50NH-35NH	H53-50NH-40NH	H53-50NH-45NH	H53-50NH-50NH	H53-50NH-60NH	
			\$682.00	\$578.00	\$682.00	\$738.00	\$824.00	\$921.00	\$906.00	
6			H53-60NH-25NH	H53-60NH-30NH	H53-60NH-35NH	H53-60NH-40NH	H53-60NH-45NH	H53-60NH-50NH	H53-60NH-60NH	
			\$923.00	\$989.00	\$1,000.00	\$829.00	\$972.00	\$903.00	\$1,002.00	
		With NPSH thread								
		H53-15NPSH-15NPSH								
		\$91.00								

Special Threads available on request, cost as follows: Allow 4-5 weeks for special threads.

- All Special threads - \$15.00 net, each
- 1" to 3.5" NPT Threads - No Charge
- 4" and up NPT Threads - \$15.00 net, each

		NH Female Rigid								
		1.5	2	2.5	3	3.5	4	4.5	5	6
NH Female Swivel Long Handle	2.5	H53L-25NH-15NH	H53L-25NH-20NH	H53L-25NH-25NH	H53L-25NH-30NH	H53L-25NH-35NH	H53L-25NH-40NH	H53L-25NH-45NH	H53L-25NH-50NH	H53L-25NH-60NH
		\$167.00	\$194.00	\$205.00	\$268.00	\$339.00	\$298.00	\$435.00	\$776.00	\$863.00
	3			H53L-30NH-25NH	H53L-30NH-30NH	H53L-30NH-35NH	H53L-30NH-40NH	H53L-30NH-45NH	H53L-30NH-50NH	H53L-30NH-60NH
				\$281.00	\$256.00	\$416.00	\$537.00	\$578.00	\$564.00	\$891.00
	3.5			H53L-35NH-25NH	H53L-35NH-30NH	H53L-35NH-35NH	H53L-35NH-40NH	H53L-35NH-45NH	H53L-35NH-50NH	H53L-35NH-60NH
				\$339.00	\$401.00	\$482.00	\$688.00	\$781.00	\$856.00	\$1,158.00
	4			H53L-40NH-25NH	H53L-40NH-30NH	H53L-40NH-35NH	H53L-40NH-40NH	H53L-40NH-45NH	H53L-40NH-50NH	H53L-40NH-60NH
				\$344.00	\$476.00	\$671.00	\$592.00	\$705.00	\$924.00	\$966.00
	4.5			H53L-45NH-25NH	H53L-45NH-30NH	H53L-45NH-35NH	H53L-45NH-40NH	H53L-45NH-45NH	H53L-45NH-50NH	H53L-45NH-60NH
				\$476.00	\$547.00	\$715.00	\$606.00	\$623.00	\$857.00	\$959.00
	5			H53L-50NH-25NH	H53L-50NH-30NH	H53L-50NH-35NH	H53L-50NH-40NH	H53L-50NH-45NH	H53L-50NH-50NH	H53L-50NH-60NH
				\$595.00	\$611.00	\$725.00	\$789.00	\$855.00	\$961.00	\$938.00
6			H53L-60NH-25NH	H53L-60NH-30NH	H53L-60NH-35NH	H53L-60NH-40NH	H53L-60NH-45NH	H53L-60NH-50NH	H53L-60NH-60NH	
			\$943.00	\$1,043.00	\$1,053.00	\$885.00	\$1,025.00	\$924.00	\$1,025.00	

Special Threads available on request, cost as follows: Allow 4-5 weeks for special threads.

- All Special threads - \$15.00 net, each
- 1" to 3.5" NPT Threads - No Charge
- 4" and up NPT Threads - \$15.00 net, each

## H54 - Male x Female Swivel Rocker Lug Dark Anodized

Threaded adapters available from 1.5" to 12". All adapters provide the necessary safety features for municipal fire fighting. Storz adapters 4" and larger feature a locking mechanism. British instantaneous adapters, NST adapters and other European adapters are available upon request. All threaded adapters are hard coated to military spec. Type 3 and made from aircraft #6061-T light weight aluminum. All female swivels utilize stainless steel ball bearing or aluminum roller bearings, no plastic.

Identify your adapters with Fire Dept. name or station number. Laser etching available at "No Charge".



		NH Female Swivel Rocker Lug								
		1.5	2	2.5	3	3.5	4	4.5	5	6
NH Male	1.5	H54-15NHM-15NH	H54-15NHM-20NH	H54-15NHM-25NH						
		\$92.00	\$106.00	\$116.00						
	2	H54-20NHM-15NH	H54-20NHM-20NH	H54-20NHM-25NH						
		\$106.00	\$111.00	\$181.00						
	2.5	H54-25NHM-15NH	H54-25NHM-20NH	H54-25NHM-25NH	H54-25NHM-30NH	H54-25NHM-35NH	H54-25NHM-40NH	H54-25NHM-45NH	H54-25NHM-50NH	H54-25NHM-60NH
		\$125.00	\$176.00	\$189.00	\$265.00	\$323.00	\$463.00	\$466.00	\$585.00	\$972.00
	3			H54-30NHM-25NH	H54-30NHM-30NH	H54-30NHM-35NH	H54-30NHM-40NH	H54-30NHM-45NH	H54-30NHM-50NH	H54-30NHM-60NH
				\$260.00	\$239.00	\$393.00	\$508.00	\$478.00	\$595.00	\$1,090.00
	3.5			H54-35NHM-25NH	H54-35NHM-30NH	H54-35NHM-35NH	H54-35NHM-40NH	H54-35NHM-45NH	H54-35NHM-50NH	H54-35NHM-60NH
				\$317.00	\$391.00	\$459.00	\$592.00	\$698.00	\$710.00	\$1,053.00
	4			H54-40NHM-25NH	H54-40NHM-30NH	H54-40NHM-35NH	H54-40NHM-40NH	H54-40NHM-45NH	H54-40NHM-50NH	H54-40NHM-60NH
				\$283.00	\$508.00	\$655.00	\$556.00	\$592.00	\$781.00	\$849.00
4.5			H54-45NHM-25NH	H54-45NHM-30NH	H54-45NHM-35NH	H54-45NHM-40NH	H54-45NHM-45NH	H54-45NHM-50NH	H54-45NHM-60NH	
			\$414.00	\$561.00	\$744.00	\$658.00	\$602.00	\$829.00	\$995.00	
5			H54-50NHM-25NH	H54-50NHM-30NH	H54-50NHM-35NH	H54-50NHM-40NH	H54-50NHM-45NH	H54-50NHM-50NH	H54-50NHM-60NH	
			\$752.00	\$707.00	\$823.00	\$891.00	\$859.00	\$965.00	\$924.00	
6			H54-60NHM-25NH	H54-60NHM-30NH	H54-60NHM-35NH	H54-60NHM-40NH	H54-60NHM-45NH	H54-60NHM-50NH	H54-60NHM-60NH	
			\$912.00	\$862.00	\$1,121.00	\$906.00	\$1,020.00	\$924.00	\$1,032.00	

Special Threads available on request, cost as follows: Allow 4-5 weeks for special threads.

- All Special threads - \$15.00 net, each
- 1" to 3.5" NPT Threads - No Charge
- 4" and up NPT Threads - \$15.00 net, each

## H54L - Male x Female Swivel Long Handle Dark Anodized

Threaded adapters available from 1.5" to 12". All adapters provide the necessary safety features for municipal fire fighting. Storz adapters 4" and larger feature a locking mechanism. British instantaneous adapters, NST adapters and other European adapters are available upon request. All threaded adapters are hard coated to military spec. Type 3 and made from aircraft #6061-T light weight aluminum. All female swivels utilize stainless steel ball bearing or aluminum roller bearings, no plastic.

Identify your adapters with Fire Dept. name or station number. Laser etching available at "No Charge".



		NH Female Swivel Long Handle						
		2.5	3	3.5	4	4.5	5	6
NH Male	2.5	H54L-25NHM-25NH	H54L-25NHM-30NH	H54L-25NHM-35NH	H54L-25NHM-40NH	H54L-25NHM-45NH	H54L-25NHM-50NH	H54L-25NHM-60NH
		\$222.00	\$291.00	\$354.00	\$409.00	\$475.00	\$728.00	\$995.00
	3	H54L-30NHM-25NH	H54L-30NHM-30NH	H54L-30NHM-35NH	H54L-30NHM-40NH	H54L-30NHM-45NH	H54L-30NHM-50NH	H54L-30NHM-60NH
		\$289.00	\$268.00	\$427.00	\$720.00	\$564.00	\$625.00	\$1,075.00
	3.5	H54L-35NHM-25NH	H54L-35NHM-30NH	H54L-35NHM-35NH	H54L-35NHM-40NH	H54L-35NHM-45NH	H54L-35NHM-50NH	H54L-35NHM-60NH
		\$346.00	\$422.00	\$495.00	\$676.00	\$746.00	\$733.00	\$1,075.00
	4	H54L-40NHM-25NH	H54L-40NHM-30NH	H54L-40NHM-35NH	H54L-40NHM-40NH	H54L-40NHM-45NH	H54L-40NHM-50NH	H54L-40NHM-60NH
		\$346.00	\$545.00	\$689.00	\$595.00	\$620.00	\$796.00	\$894.00
	4.5	H54L-45NHM-25NH	H54L-45NHM-30NH	H54L-45NHM-35NH	H54L-45NHM-40NH	H54L-45NHM-45NH	H54L-45NHM-50NH	H54L-45NHM-60NH
		\$446.00	\$587.00	\$778.00	\$694.00	\$694.00	\$884.00	\$1,068.00
	5	H54L-50NHM-25NH	H54L-50NHM-30NH	H54L-50NHM-35NH	H54L-50NHM-40NH	H54L-50NHM-45NH	H54L-50NHM-50NH	H54L-50NHM-60NH
		\$720.00	\$726.00	\$851.00	\$919.00	\$889.00	\$995.00	\$993.00
6	H54L-60NHM-25NH	H54L-60NHM-30NH	H54L-60NHM-35NH	H54L-60NHM-40NH	H54L-60NHM-45NH	H54L-60NHM-50NH	H54L-60NHM-60NH	
	\$927.00	\$864.00	\$1,145.00	\$908.00	\$1,048.00	\$997.00	\$1,047.00	

Please note raw material shortages are causing longer than normal lead times on most items. We reserve the right to change prices without notice.

Special Threads available on request, cost as follows: Allow 4-5 weeks for special threads.

- All Special threads - \$15.00 net, each
- 1" to 3.5" NPT Threads - No Charge
- 4" and up NPT Threads - \$15.00 net, each



## H56L - NH Male x Female Rigid Long Handle Dark Anodized

Threaded adapters available from 1.5" to 12". All adapters provide the necessary safety features for municipal fire fighting. Storz adapters 4" and larger feature a locking mechanism. British instantaneous adapters, NST adapters and other European adapters are available upon request. All threaded adapters are hard coated to military spec. Type 3 and made from aircraft #6061-T light weight aluminum. All female swivels utilize stainless steel ball bearing or aluminum roller bearings, no plastic.

Identify your adapters with Fire Dept. name or station number. Laser etching available at "No Charge".



		NH Female Rigid Long Handle						
		2.5	3	3.5	4	4.5	5	6
NH Male	2.5	H56L-25NHM-25NH	H56L-25NHM-30NH	H56L-25NHM-35NH	H56L-25NHM-40NH	H56L-25NHM-45NH	H56L-25NHM-50NH	H56L-25NHM-60NH
		\$222.00	\$241.00	\$257.00	\$367.00	\$387.00	\$501.00	\$939.00
	3	H56L-30NHM-25NH	H56L-30NHM-30NH	H56L-30NHM-35NH	H56L-30NHM-40NH	H56L-30NHM-45NH	H56L-30NHM-50NH	H56L-30NHM-60NH
		\$215.00	\$236.00	\$406.00	\$443.00	\$486.00	\$636.00	\$887.00
	3.5	H56L-35NHM-25NH	H56L-35NHM-30NH	H56L-35NHM-35NH	H56L-35NHM-40NH	H56L-35NHM-45NH	H56L-35NHM-50NH	H56L-35NHM-60NH
		\$249.00	\$417.00	\$380.00	\$446.00	\$704.00	\$521.00	\$864.00
	4	H56L-40NHM-25NH	H56L-40NHM-30NH	H56L-40NHM-35NH	H56L-40NHM-40NH	H56L-40NHM-45NH	H56L-40NHM-50NH	H56L-40NHM-60NH
		\$377.00	\$412.00	\$461.00	\$414.00	\$449.00	\$470.00	\$632.00
	4.5	H56L-45NHM-25NH	H56L-45NHM-30NH	H56L-45NHM-35NH	H56L-45NHM-40NH	H56L-45NHM-45NH	H56L-45NHM-50NH	H56L-45NHM-60NH
		\$409.00	\$506.00	\$511.00	\$508.00	\$489.00	\$548.00	\$675.00
	5	H56L-50NHM-25NH	H56L-50NHM-30NH	H56L-50NHM-35NH	H56L-50NHM-40NH	H56L-50NHM-45NH	H56L-50NHM-50NH	H56L-50NHM-60NH
		\$605.00	\$556.00	\$503.00	\$550.00	\$592.00	\$675.00	\$771.00
6	H56L-60NHM-25NH	H56L-60NHM-30NH	H56L-60NHM-35NH	H56L-60NHM-40NH	H56L-60NHM-45NH	H56L-60NHM-50NH	H56L-60NHM-60NH	
	\$741.00	\$726.00	\$689.00	\$689.00	\$705.00	\$796.00	\$859.00	

Special Threads available on request, cost as follows: Allow 4-5 weeks for special threads.

- All Special threads - \$15.00 net, each
- 1" to 3.5" NPT Threads - No Charge
- 4" and up NPT Threads - \$15.00 net, each

## H57L - Female Swivel LH x Female Swivel LH Dark Anodized

Threaded adapters available from 1.5" to 12". All adapters provide the necessary safety features for municipal fire fighting. Storz adapters 4" and larger feature a locking mechanism. British instantaneous adapters, NST adapters and other European adapters are available upon request. All threaded adapters are hard coated to military spec. Type 3 and made from aircraft #6061-T light weight aluminum. All female swivels utilize stainless steel ball bearing or aluminum roller bearings, no plastic.

Identify your adapters with Fire Dept. name or station number. Laser etching available at "No Charge".



		Female Swivel Long Handle						
		2.5	3	3.5	4	4.5	5	6
Female Swivel Long Handle	2.5	H57L-25NH-25NH						
		\$176.00						
	3	H57L-30NH-25NH	H57L-30NH-30NH					
		\$278.00	\$260.00					
	3.5	H57L-35NH-25NH	H57L-35NH-30NH	H57L-35NH-35NH				
		\$397.00	\$442.00	\$426.00				
	4	H57L-40NH-25NH	H57L-40NH-30NH	H57L-40NH-35NH	H57L-40NH-40NH			
		\$425.00	\$508.00	\$556.00	\$453.00			
	4.5	H57L-45NH-25NH	H57L-45NH-30NH	H57L-45NH-35NH	H57L-45NH-40NH	H57L-45NH-45NH		
		\$382.00	\$519.00	\$616.00	\$601.00	\$557.00		
	5	H57L-50NH-25NH	H57L-50NH-30NH	H57L-50NH-35NH	H57L-50NH-40NH	H57L-50NH-45NH	H57L-50NH-50NH	
		\$553.00	\$555.00	\$618.00	\$547.00	\$593.00	\$702.00	
6	H57L-60NH-25NH	H57L-60NH-30NH	H57L-60NH-35NH	H57L-60NH-40NH	H57L-60NH-45NH	H57L-60NH-50NH	H57L-60NH-60NH	
	\$788.00	\$736.00	\$776.00	\$692.00	\$704.00	\$783.00	\$798.00	

Special Threads available on request, cost as follows: Allow 4-5 weeks for special threads.

- All Special threads - \$15.00 net, each
- 1" to 3.5" NPT Threads - No Charge
- 4" and up NPT Threads - \$15.00 net, each

Please note raw material shortages are causing longer than normal lead times on most items. We reserve the right to change prices without notice.

## HTBC - Threaded Blind Caps Dark Anodized



HTBC - Threaded Cap	Female Cap	List
HTBC-10NH	1" NH Female Cap w/chain	\$105.00
HTBC-15NH	1.5" NH Female Cap w/chain	\$83.00
HTBC-15NH-PC	1.5" NH Female Cap with 1/4" bleeder petcock	\$203.00
HTBC-15-xxx	1.5" special thread Female Cap w/chain	\$110.00
HTBC-15NPSH	1.5" NPSH Female Cap w/chain	\$83.00
HTBC-20NH	2" NH Female Cap w/chain	\$117.00
HTBC-25NH	2.5" NH Female Cap w/chain	\$100.00
HTBC-25NHLH	2.5" NH Female Long Handle Cap w/chain	\$156.00
HTBC-25NPSH	2.5" NPSH Female Cap w/chain	\$100.00
HTBC-25NH-PC	2.5" NH Female Cap with 1/4" bleeder petcock	\$218.00
HTBC-25-xxx	2.5" special thread Female Cap w/chain	\$128.00
HTBC-25-xxx-PC	2.5" special thread Female Cap with 1/4" bleeder petcock	\$238.00
HTBC-30NH	3" NH Female Cap w/chain	\$243.00
HTBC-30NHLH	3" NH Female Long Handle Cap w/chain	\$294.00
HTBC-35NH	3.5" NH Female Cap w/chain	\$316.00
HTBC-35NHLH	3.5" NH Female Long Handle Cap w/chain	\$382.00
HTBC-40NH	4" NH Female Cap w/chain	\$330.00
HTBC-40NHLH	4" NH Female Long Handle Cap w/chain	\$403.00
HTBC-45NH	4.5" NH Female Cap w/chain	\$349.00
HTBC-45NHLH	4.5" NH Female Long Handle Cap w/chain	\$408.00
HTBC-50NH	5" NH Female Cap w/chain	\$375.00
HTBC-50NHLH	5" NH Female Long Handle Cap w/chain	\$442.00
HTBC-60NH	6" NH Female Cap w/chain	\$424.00
HTBC-60NHLH	6" NH Female Long Handle Cap w/chain	\$451.00
Cable-RKIT	Reflective stainless steel aircraft cable for caps, 20" long with (2) aluminum crimping connectors	\$10.00

## HTP - Harrington Threaded Plugs

HTP - Threaded Plug	Male Plug	List
HTP-10NH	1" NH Male Plug w/chain	\$106.00
HTP-15NH	1.5" NH Male Plug w/chain	\$51.00
HTP-15NPSH	1.5" NPSH Male Plug w/chain	\$51.00
HTP-15-xxx	1.5" special thread Male Plug w/chain	\$119.00
HTP-20NH	2" NH Male Plug w/chain	\$134.00
HTP-25NH	2.5" NH Male Plug w/chain	\$88.00
HTP-25-xxx	2.5" special thread Male Plug w/chain	\$183.00
HTP-30NH	3" NH Male Plug w/chain	\$176.00
HTP-35NH	3.5" NH Male Plug w/chain	\$191.00
HTP-40NH	4" NH Male Plug w/chain	\$270.00
HTP-45NH	4.5" NH Male Plug w/chain	\$334.00
HTP-50NH	5" NH Male Plug w/chain	\$311.00
HTP-60NH	6" NH Male Plug w/chain	\$430.00
Cable-RKIT	Reflective stainless steel aircraft cable for caps, 20" long with (2) aluminum crimping connectors	\$10.00

Please note raw material shortages are causing longer than normal lead times on most items. We reserve the right to change prices without notice.



## Butterfly Valves



Butterfly Valves	HTBFV & HSBFV	List
Storz		
HSBFV-40-40NHLH	Butterfly Valve 4" Storz x 4" NH female swivel long handle	\$2,656.00
HSBFV-40-40NPSHLH	Butterfly Valve 4" Storz x 4" NPSH female swivel long handle	\$2,656.00
HSBFV-40-45NHLH	Butterfly Valve 4" Storz x 4.5" NH female swivel long handle	\$2,646.00
HSBFV-40-50NHLH	Butterfly Valve 4" Storz x 5" NH female swivel long handle	\$2,641.00
HSBFV-40-60NHLH	Butterfly Valve 4" Storz x 6" NH female swivel long handle	\$2,685.00
HSBFV-50-40NHLH	Butterfly Valve 5" Storz x 4" NH female swivel long handle	\$2,607.00
HSBFV-50-45NHLH	Butterfly Valve 5" Storz x 4.5" NH female swivel long handle	\$2,590.00
HSBFVH-50-45NHLH	Butterfly Valve 5" Storz x 4.5" NH female swivel long handle with Handwheel	\$3,216.00
HSBFV-50-50NHLH	Butterfly Valve 5" Storz x 5" NH female swivel long handle	\$3,584.00
HSBFVH-50-50NHLH	Butterfly Valve 5" Storz x 5" NH female swivel long handle with Handwheel	\$3,210.00
HSBFV-50-60NHLH	Butterfly Valve 5" Storz x 6" NH female swivel long handle	\$2,628.00
HSBFV-50-NF/Cap	To be mounted to a 6" flange in the field x 5" Storz with lock with 5" Storz cap/cable	\$1,884.00
HSBFVH-50-60NHLH	Butterfly Valve 5" Storz x 6" NH Female swivel long handle	\$3,254.00
HSBFV-60-40NHLH	Butterfly Valve 6" Storz x 4" NH female swivel long handle	\$2,603.00
HSBFV-60-45NHLH	Butterfly Valve 6" Storz x 4.5" NH female swivel long handle	\$2,586.00
HSBFV-60-50NHLH	Butterfly Valve 6" Storz x 5" NH female swivel long handle	\$2,581.00
HSBFV-60-60NHLH	Butterfly Valve 6" Storz x 6" NH female swivel long handle	\$2,624.00
NH		
HTBFV-40NHM-40NHLH	Butterfly Valve 4" NH male x 4" NH female swivel long handle	\$2,382.00
HTBFVH-40NHM-40NHLH	Butterfly Valve 4" NH male x 4" NH female swivel long handle with Handwheel	\$3,008.00
HTBFV-40NHM-40NPSHLH	Butterfly Valve 4" NH male x 4" NPSH female swivel long handle	\$2,382.00
HTBFV-40NPSHM-40NPSHLH	Butterfly Valve 4" NPSH male x 4" NPSH female swivel long handle	\$2,382.00
HTBFVH-40NPSHM-40NPSHLH	Butterfly Valve 4" NPSH male x 4" NPSH female swivel long handle with Handwheel	\$3,008.00
HTBFV-40NHM-45NHLH	Butterfly Valve 4" NH male x 4.5" NH female swivel long handle	\$2,365.00
HTBFV-40NHM-50NHLH	Butterfly Valve 4" NH male x 5" NH female swivel long handle	\$2,359.00
HTBFV-40NHM-60NHLH	Butterfly Valve 4" NH male x 6" NH female swivel long handle	\$2,403.00
HTBFV-45NHM-40NHLH	Butterfly Valve 4.5" NH male x 4" NH female swivel long handle	\$2,382.00
HTBFV-45NHM-45NHLH	Butterfly Valve 4.5" NH male x 4.5" NH female swivel long handle	\$2,365.00
HTBFV-45NHM-50NHLH	Butterfly Valve 4.5" NH male x 5" NH female swivel long handle	\$2,359.00
HTBFV-45NHM-60NHLH	Butterfly Valve 4.5" NH male x 6" NH female swivel long handle	\$2,403.00
HTBFV-50NHM-40NHLH	Butterfly Valve 5" NH male x 4" NH female swivel long handle	\$2,382.00
HTBFV-50NHM-45NHLH	Butterfly Valve 5" NH male x 4.5" NH female swivel long handle	\$2,365.00
HTBFV-50NHM-50NHLH	Butterfly Valve 5" NH male x 5" NH female swivel long handle	\$2,359.00
HTBFV-50NHM-50NPSHLH	Butterfly Valve 5" NH male x 5" NPSH female swivel long handle	\$2,359.00
HTBFV-50NHM-60NHLH	Butterfly Valve 5" NH male x 6" NH female swivel long handle	\$2,403.00
HTBFV-60NHM-60NHLH	Butterfly Valve 6" NH male x 6" NH female swivel long handle	\$2,403.00
HTBFVH-60NHM-60-NHLH	Butterfly Valve 6" NH male x 6" NH female swivel long handle with handwheel	\$3,029.00
HABS		
	0.75" screw down bleeder valve NPT	\$114.00



# Drafting Equipment

## PVC Suction Hose

We offer the most flexible suction hose in the market; as much as 24% tighter bend radius. Long life due to high UV inhibitors. Clear PVC hose allows for visual indication of water movement. Coupling can easily be removed in the field with standard Allen wrench. Aircraft aluminum # 6061-T couplings hard coated to Military spec Type III specification for added abrasion resistance and long life. Beveled segment edges for easy loading into hose chutes. All metal segment collars secure coupling to hose – no plastic. All metal roller bearings in swivels – no plastic. **Couplings and Hose are made in the U.S.A.**

- Standard 10' length hose is measured from end of coupling to end of coupling.
- Special – short or long - lengths can be made – call for pricing.
- 2.5" and 3" hoses 10 feet in length can be shipped via UPS or Fed-X ground.
- 4", 5", and 6" hoses must ship via truck. Hoses longer than 10 feet will entail higher freight rates.
- 5" & 6" hoses are shipped straight-flat to reduce possible damage to hose in transit.
- Storz X NH connections on one length can be supplied – call/request with specs for pricing.
- No shipments permitted to personal residences due to excessive freight costs.



Suction Hose	HSH	List			
		10'	15'	20'	25'
NH Thread					
HSH-15NHRL	Flex-Lite suction hose 1.5" PVC with 1.5" NH rocker lug male x rocker lug female 10, 15 or 20 ft. long	117.00	\$141.00	\$164.00	\$188.00
HSH-20NHRL	Flex-Lite suction hose 2" PVC with 2" NH rocker lug male x rocker lug female 10, 15 or 20 ft. long	\$184.00	\$218.00	\$252.00	\$286.00
HSH-20NPSHRL	Flex-Lite suction hose 2" PVC with 2" NPSH rocker lug male x rocker lug female 10, 15 or 20 ft. long	\$184.00	\$218.00	\$252.00	\$286.00
HSH-25NHRL	Flex-Lite suction hose 2.5" PVC with 2.5" NH rocker lug male x rocker lug female 10, 15 or 20 ft. long	\$231.00	\$281.00	\$331.00	\$380.00
HSH-25NPSHRL	Flex-Lite suction hose 2.5" PVC with 2.5" NPSH rocker lug male x rocker lug female 10, 15 or 20 ft. long	\$231.00	\$281.00	\$331.00	\$380.00
HSH-30-25NH	Flex-Lite suction hose 3" PVC with 2.5" NH rocker lug male x long handle female 10, 15 or 20 ft. long	\$451.00	\$511.00	\$570.00	\$629.00
HSH-30-25NHRL	Flex-Lite suction hose 3" PVC with 2.5" NH rocker lug male x rocker lug female 10, 15 or 20 ft. long	\$437.00	\$497.00	\$556.00	\$616.00
HSH-30NH	Flex-Lite suction hose 3" PVC with 3" NH rocker lug male x long handle female 10, 15 or 20 ft. long	\$665.00	\$724.00	\$783.00	\$843.00
HSH-30NHRL	Flex-Lite suction hose 3" PVC with 3" rocker lug male x rocker lug female 10, 15 or 20 ft. long	\$651.00	\$710.00	\$770.00	\$829.00
HSH-40NH	Flex-Lite suction hose 4" PVC with 4" rocker lug male x long handle female 10, 15 or 20 ft. long	\$888.00	\$984.00	\$1,079.00	
HSH-40NHRL	Flex-Lite suction hose 4" PVC with 4" rocker lug male x rocker lug female 10, 15 or 20 ft. long	\$874.00	\$970.00	\$1,065.00	
HSH-50-45NH	Flex-Lite suction hose 5" PVC with 4.5" NH rocker lug male and long handle female 10, 15 or 20 ft. long	\$1,200.00	\$1,357.00	\$1,514.00	
HSH-50NH	Flex-Lite suction hose 5" PVC with 5" rocker lug male x long handle female 10, 15 or 20 ft. long	\$1,155.00	\$1,312.00	\$1,469.00	
HSH-50NHRL	Flex-Lite suction hose 5" PVC with 5" rocker lug male x rocker lug female 10, 15 or 20 ft. long	\$1,141.00	\$1,298.00	\$1,455.00	
HSH-60NH	Flex-Lite suction hose 6" PVC with 6" rocker lug male x long handle female 10, 15 or 20 ft. long	\$1,266.00	\$1,454.00	\$1,643.00	
HSH-60NHRL	Flex-Lite suction hose 6" PVC with 6" rocker lug male x rocker lug female 10, 15 or 20 ft. long	\$1,251.00	\$1,440.00	\$1,629.00	
HSH-60NH/FH	Flex-Lite suction hose 6" PVC with 6" rocker lug male x long folding handle female 10, 15 or 20 ft. long	\$1,386.00	\$1,575.00	\$1,764.00	

Please note raw material shortages are causing longer than normal lead times on most items. We reserve the right to change prices without notice.

Storz		List			
		10'	15'	20'	25'
HSHS-25ST	Flex-Lite suction hose 2.5" PVC with 2.5" Storz 10, 15 or 20 ft. long	\$431.00	\$480.00	\$530.00	\$579.00
HSHS-30ST	Flex-Lite suction hose 3" PVC with 3" Storz 10, 15 or 20 ft. long	\$745.00	\$805.00	\$864.00	\$924.00
HSHS-40ST	Flex-Lite suction hose 4" PVC with 4" Storz lock 10, 15 or 20 ft. long	\$1,084.00	\$1,180.00	\$1,276.00	
HSHS-45ST	Flex-Lite suction hose 4" PVC with 4.5" Storz lock 10, 15 or 20 ft. long	\$1,343.00	\$1,438.00	\$1,534.00	
HSHS-50ST	Flex-Lite suction hose 5" PVC with 5" Storz lock 10, 15 or 20 ft. long	\$1,347.00	\$1,504.00	\$1,660.00	
HSHS-60-50ST	Flex-Lite suction hose 6" PVC with 5" Storz lock 10, 15 or 20 ft. long	\$1,918.00	\$2,107.00	\$2,295.00	
HSHS-60ST	Flex-Lite suction hose 6" PVC with 6" Storz lock 10, 15 or 20 ft. long	\$1,589.00	\$1,777.00	\$1,996.00	
HSHS-60ST/FH	6" Flex-Lite PVC suction hose with 6" Storz with folding handles 10, 15 or 20 ft long	\$1,799.00	\$1,988.00	\$2,177.00	



## HSE - 90 Degree Suction Elbow

HSE - 90 Degree Suction		List
HSE90-60NHM-60NHLH	90 Degree Suction Elbow 6" NH Male x 6" Female Swivel Long Handle	\$1,148.00
HSE90-50ST-50ST	90 Degree Suction Elbow 5" Storz x 5" Storz	\$809.00



## Suction Strainers

### HTBS - Barrel Strainers - Female Rigid

Barrel Strainers	HTBS & HSBS	List
NH Thread		
HTBS-25NH	2.5" Barrel Strainer with 2.5" NH Female rigid	\$217.00
HTBS-FV-25NH	2.5" Barrel Strainer with 2.5" NH Female rigid with foot valve	\$682.00
HTBS-30NH	3" Barrel Strainer with 3" NH Female rigid	\$265.00
HTBS-FV-30NH	3" Barrel Strainer with 3" NH Female rigid with foot valve	\$713.00
HTBS-30NPT	3" Barrel Strainer with 3" NPT Female rigid	\$297.00
HTBS-40NH	4" Barrel Strainer with 4" NH Female rigid	\$312.00
HTBS-FV-40NH	4" Barrel Strainer with 4" NH Female rigid with foot valve	\$812.00
HTBS-45NH	4.5" Barrel Strainer with 4.5" NH Female rigid	\$408.00
HTBS-50NH	5" Barrel Strainer with 5" NH Female rigid	\$418.00
HTBS-60NH	6" Barrel Strainer with 6" NH Female rigid	\$409.00
Storz		
HSBS-25ST	Barrel Strainer with 2.5" Storz rigid	\$365.00
HSBS-30ST	Barrel Strainer with 3" Storz rigid	\$365.00
HSBS-40ST	Barrel Strainer with 4" Storz rigid	\$509.00
HSBS-50ST	Barrel Strainer with 5" Storz rigid	\$632.00
HSBS-60ST	Barrel Strainer with 6" Storz rigid	\$697.00





## HWMB5- Harrington Basket Strainer/Diffuser

Lightweight T6061-T6 aluminum body anodized to Military specification Type 3 for durability with ridged stainless steel mesh screen. Excellent performance when drafting to reduce debris from entering a pump, yet allows full flow into the suction hose. This same device can be used to diffuse water when testing hydrants to diffuse the flow safely. Available in female sizes 2.5" through 6" NH, NST, or NPSH threads standard. Rocker lug for easy secure tightening. Includes flat face gasket. When ordering specify quantity, size, and thread type.



Part Number	Description	List
HWMB5-25NH	2.5" Female Basket Suction Strainer-Diffuser	\$381.00
HWMB5-30NH	3" Female Basket Suction Strainer-Diffuser	\$397.00
HWMB5-35NH	3.5" Female Basket Suction Strainer-Diffuser	\$413.00
HWMB5-40NH	4" Female Basket Suction Strainer-Diffuser	\$454.00
HWMB5-45NH	4.5" Female Basket Suction Strainer-Diffuser	\$470.00
HWMB5-50NH	5" Female Basket Suction Strainer-Diffuser	\$562.00
HWMB5-60NH	6" Female Basket Suction Strainer-Diffuser	\$619.00

## HTLLS & HSLLS - Low Level Strainers w/ Jet Siphon



Low Level Strainers	HTLLS & HSLLS	List
NH Thread		
HTLLS-25NHLH	Low Level Strainer with 2.5" NH Female long handle swivel w/ 1.5" NH siphon jet	\$921.00
HTLLS-30NHLH	Low Level Strainer with 3" NH Female long handle swivel w/ 1.5" NH siphon jet	\$1,023.00
HTLLS-40NHLH	Low Level Strainer with 4" NH Female long handle swivel w/ 1.5" NH siphon jet	\$1,066.00
HTLLS-45NHLH	Low Level Strainer with 4.5" NH Female long handle swivel w/ 1.5" NH siphon jet	\$1,019.00
HTLLS-50NHLH	Low Level Strainer with 5" NH Female long handle swivel w/ 1.5" NH siphon jet	\$1,041.00
HTLLS-60NHLH	Low Level Strainer with 6" NH Female long handle swivel w/ 1.5" NH siphon jet	\$1,111.00
Storz		
HSLLS-40ST	Low Level Strainer with 4" Storz rigid w/ 1.5" NH siphon jet	\$1,228.00
HSLLS-50ST	Low Level Strainer with 5" Storz rigid w/ 1.5" NH siphon jet	\$1,152.00
HSLLS-60ST	Low Level Strainer with 6" Storz rigid w/ 1.5" NH siphon jet	\$1,132.00

## HTFBS - Floating Barrel Strainers



Floating Barrel Strainers	HTFBS & HSFBS	List
NH Thread		
HTFBS-25NHLH	Floating Strainer with 2.5" NH female long handle swivel	\$911.00
HTFBS-30NHLH	Floating Strainer with 3" NH female long handle swivel	\$983.00
HTFBS-40NHLH	Floating Strainer with 4" NH female long handle swivel	\$1,656.00
HTFBS-45NHLH	Floating Strainer with 4.5" NH female long handle swivel	\$1,610.00
HTFBS-50NHLH	Floating Strainer with 5" NH female long handle swivel	\$1,632.00
HTFBS-60NHLH	Floating Strainer with 6" NH female long handle swivel	\$1,734.00
Storz		
HSFBS-40ST	Floating Strainer with 4" Storz rigid	\$1,880.00
HSFBS-45ST	Floating Strainer with 4.5" Storz rigid	\$1,893.00
HSFBS-50ST	Floating Strainer with 5" Storz rigid	\$1,914.00
HSFBS-60ST	Floating Strainer with 6" Storz rigid	\$1,771.00

## HHSN - Wildland Nozzles

Excellent lightweight forestry and marine approved nozzles. Supplied in 1" with a flow rate of 25 GPM and 1.5" with a flow rate of 75-150 GPM @ 100 PSI. The 1.5" model has a flow rate of 75 GPM in straight stream and 150 GPM on fog. All models have twist to shut off design. Molded rubber teeth/bumper is standard. PG-denotes nozzles with pistol grip.



HHSN - Wildland Nozzles		List
HHSN-7-10NH	Wildland nozzle HS 7 (25 gpm) 1" NH female swivel rocker lug	\$341.00
HHSN-7-PG-1NH	Wildland nozzle HS 7 PG (25 gpm) 1" NH female swivel rocker lug w/ pistol grip	\$496.00
HHSN-12-R20M	Wildland nozzle HS 12 2" BSP male *marine approved	\$143.00
HHSN-12-15NH	Wildland nozzle HS 12 (75-150 gpm) 1.5" NH female swivel rocker lug *marine approved	\$234.00
HHSN-12-15NPSH	Wildland nozzle HS 12 (75-150 gpm) 1.5" NPSH female swivel rocker lug *marine approved	\$234.00
HHSN-12-PG-15NH	Wildland nozzle HS 12 PG (75-150 gpm) 1.5" NH female swivel rocker lug w/ pistol grip *marine approved	\$317.00
HHSN-12-PG-15NPSH	Wildland nozzle HS 12 PG (75-150 gpm) 1.5" NPSH female swivel rocker lug w/ pistol grip *marine approved	\$317.00
HHSN-12-20STB	Wildland nozzle HS 12 (75-150 gpm) 2" Brass Storz *marine approved	\$226.00
HHSN-16-R20M	Wildland nozzle HS 16 2" BSP male *marine approved	\$143.00
HHSN-16-20ST	Wildland nozzle HS 16 2" Storz *marine approved	\$177.00
HHSN-16-25NH	Wildland nozzle HS 16 2.5" NH female swivel rocker lug *marine approved	\$266.00
HHSN-20-R20M	Wildland nozzle HS 20 2" BSP male *marine approved	\$148.00
HHSN-20-25NH	Wildland nozzle HS 20 2.5" NH female swivel rocker lug *marine approved	\$271.00
HHSN-20-PG-25NH	Wildland nozzle HS 20 2.5" NH female swivel rocker lug w/ pistol grip *marine approved	\$403.00

## Foam Equipment

### HFI - Foam Eductors

This light weight in-line Foam Eductor operates at low pressure 100 PSI. Excellent for use in plants, portable pumps or other low water pressure applications. Variable concentrate settings from 0.5% to 6%. Clear pick up tube with quick Storz connection and stainless steel wand. Flow ranges 60, 125 and 250 GPM.



HFI - Foam Eductors		List
Foam Inductors	HFI	
HFI-Z2-15NH-KIT	60 gpm 1.5" NH female swivel rocker lug inlet x 1.5" NH male outlet w/ pick up tube and stainless steel wand	\$964.00
HFI-Z2-15NPSH-KIT	60 gpm 1.5" NPSH female swivel rocker lug inlet x 1.5" NPSH male outlet w/ pick up tube and stainless steel wand	\$964.00
HFI-Z2-15BI-KIT	60 gpm 1.5" BI female inlet x 1.5" BI male outlet w/ pick up tube and stainless steel wand	\$1,101.00
HFI-Z4-15NH-KIT	125 gpm 1.5" NH female swivel rocker lug inlet x 1.5" NH male outlet w/ pick up tube and stainless steel wand	\$1,079.00
HFI-Z4-15NPSH-KIT	125 gpm 1.5" NPSH female swivel rocker lug inlet x 1.5" NPSH male outlet w/ pick up tube and stainless steel wand	\$1,079.00











# Harrington

## STORZ CONNECT



### Fire Hydrant Conversion

#### HPHA™ *THREAD-ON* STORZ SPECIFICATION

The Storz Adapter is threaded onto the male hydrant nozzle and permanently secured with 2 SETSCREWS. The Storz cap is secured to the adapter with STAINLESS STEEL REFLECTIVE AIRCRAFT CABLE for night visibility. FOR SECURITY, the cap is resistant to removal by unauthorized personnel. Cap removal requires a Storz wrench. This is a Harrington feature called "HIGH TORQUE CAP REMOVAL".

Harrington maintains the integrity of fire hydrant adaptation from decades of experience.  
**Improving America's Emergency Response Connections.**  
 American Innovation. American Made.

### HPHA40-45NH/Cap - 4" Storz x 4.5" NH Female

#### HARRINGTON STORZ SPECIFICATION SHEET

##### HPHA40-45NH/Cap

Forged 6061-T6 Aluminum

- 4" Storz x 4 1/2" NH Female

**Adapter** with Metal Face Seal

- (2) Stainless Steel Setscrews
- Laser etched

- 4" Storz Cap with Stainless Steel Reflective Aircraft Cable

- Hard Anodized to Mil-A-8625f, Type 3, Dark Gray
- 250 psi working pressure

- MADE IN USA

Specify HARRINGTON STORZ: HPHA40-45NH/Cap



2630 West 21st Street  
Erie, PA 16506

ph. 800-553-0078  
info@harrinc.com



#### HPHA40-45NH/Cap

4" Storz Hydrant Adapter: 4 x 4 1/2" NH Female w/(2) setscrews, Storz Cap and SS Cable

Date: 01/01/23 Weight: 5 lbs. Specification / Data Sheet

Net to scale NFPA 1963 COMPLIANT HPHA



# Harrington

## STORZ CONNECT



### Fire Hydrant Conversion

#### HPHA™ *THREAD-ON* STORZ SPECIFICATION

The Storz Adapter is threaded onto the male hydrant nozzle and permanently secured with 2 SETSCREWS. The Storz cap is secured to the adapter with STAINLESS STEEL REFLECTIVE AIRCRAFT CABLE for night visibility. FOR SECURITY, the cap is resistant to removal by unauthorized personnel. Cap removal requires a Storz wrench. This is a Harrington feature called "HIGH TORQUE CAP REMOVAL".

Harrington maintains the integrity of fire hydrant adaptation from decades of experience.  
**Improving America's Emergency Response Connections.**  
 American Innovation. American Made.

### HPHA50-45NH/Cap - 5" Storz x 4.5" NH Female

#### HARRINGTON STORZ SPECIFICATION SHEET

##### HPHA50-45NH/Cap

Forged 6061-T6 Aluminum

- 5" Storz x 4 1/2" NH Female

**Adapter** with Metal Face Seal

- (2) Stainless Steel Setscrews
- Laser etched

- 5" Storz Cap with Stainless Steel Reflective Aircraft Cable

- Hard Anodized to Mil-A-8625f, Type 3, Dark Gray
- 250 psi working pressure

- MADE IN USA

Specify HARRINGTON STORZ: HPHA50-45NH/Cap



2630 West 21st Street  
Erie, PA 16506

ph. 800-553-0078  
info@harrinc.com

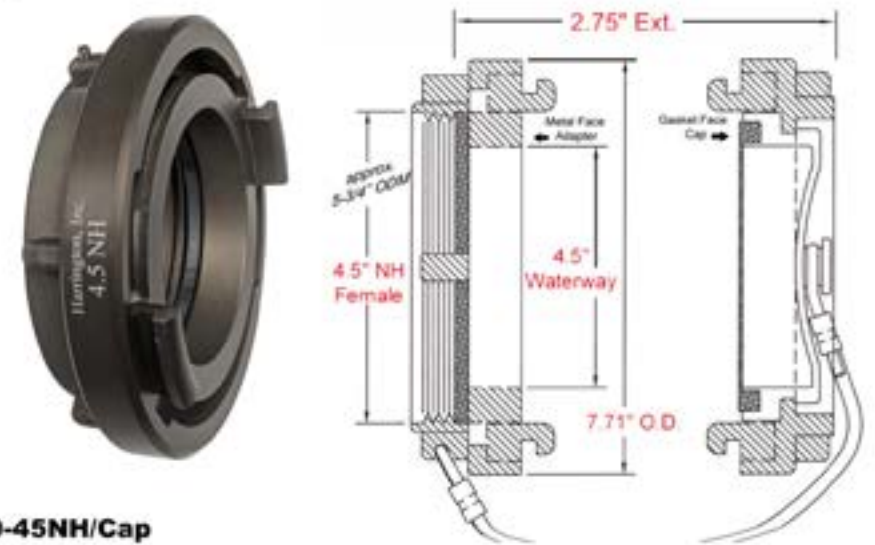


#### HPHA50-45NH/Cap

5" Storz Hydrant Adapter: 5 x 4 1/2" NH Female w/(2) setscrews, Storz Cap and SS Cable

Date: 01/01/23 Weight: 7 lbs. Specification / Data Sheet

Not to scale NFPA 1963 COMPLIANT HPHA



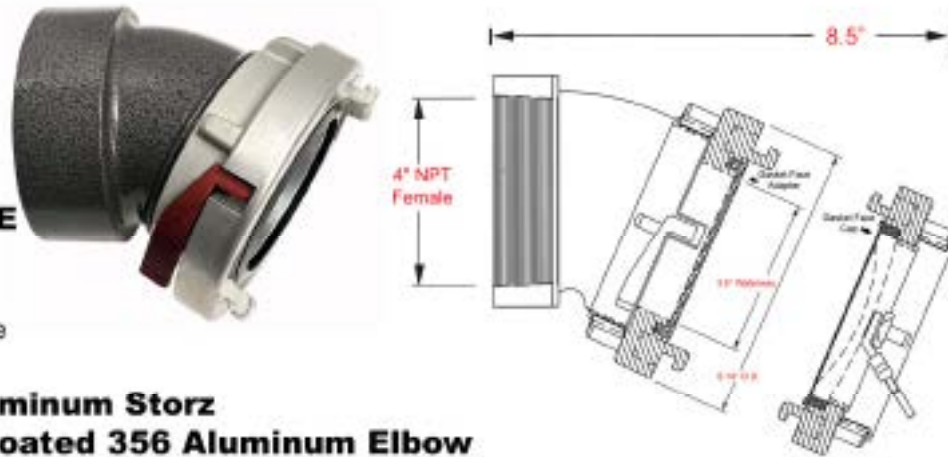


HARRINGTON STORZ SPECIFICATION SHEET

### H30E-40-40NPT/Cap

All Aluminum

- 30° ELBOW, 4" NPT FEMALE
- 4" STORZ with Storz-Lok
- 4" STORZ CAP attached with SS Aircraft Cable



- Hard Anodized 6061-T6 Aluminum Storz
- Hard Anodized & Powder Coated 356 Aluminum Elbow
- 250 psi working pressure

Specify HARRINGTON STORZ: H30E-40-40NPT/Cap



**Harrington**  
STORZ CONNECT

2630 West 21st Street  
Erie, PA 16506

ph. 800-553-0078  
info@harrinc.com



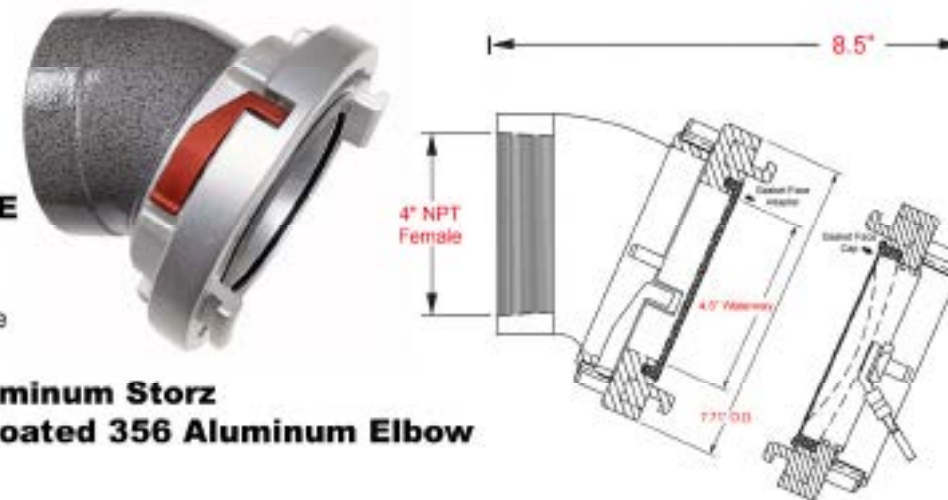
<b>H30E-40-40NPT/Cap</b>			
Elbow 30°, 4" NPT Female x 4" Storz with Storz Cap attached with stainless steel aircraft cable			
Date: 01/01/23	Weight: 7 lbs.	Specification / Data Sheet	
Not to scale	NFPA 1963 COMPLIANT	30° NPT	

HARRINGTON STORZ SPECIFICATION SHEET

### H30E-50-40NPT/Cap

All Aluminum

- 30° ELBOW, 4" NPT FEMALE
- 5" STORZ with Storz-Lok
- 5" STORZ CAP attached with SS Aircraft Cable



- Hard Anodized 6061-T6 Aluminum Storz
- Hard Anodized & Powder Coated 356 Aluminum Elbow
- 250 psi working pressure

Specify HARRINGTON STORZ: H30E-50-40NPT/Cap



**Harrington**  
STORZ CONNECT

2630 West 21st Street  
Erie, PA 16506

ph. 800-553-0078  
info@harrinc.com



<b>H30E-50-40NPT/Cap</b>			
Elbow 30°, 4" NPT Female x 5" Storz with Storz Cap attached with stainless steel aircraft cable			
Date: 01/01/23	Weight: 9 lbs.	Specification / Data Sheet	
Not to scale	NFPA 1963 COMPLIANT	30° NPT	







# Harrington, Inc.

HYDRANT STORZ SPECIALISTS

2630 West 21st Street Erie, PA 16506  
phone: 800-553-0078 fax: 814-838-7339  
www.hydrantstorz.com / www.harrinc.com



## Fight the Fire, Not the Connections™

Protect your community with Harrington Hydrant Storz connections. Save time, lives and property by making your hydrants ready for the call.



1/4 Turn, Cap Off...



1/4 Turn, Hose On

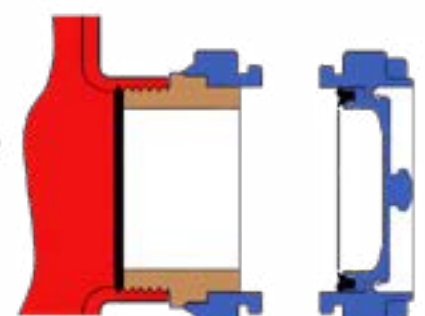
### HIHS™ BUILT-IN: Harrington Integral Hydrant Storz™

For new hydrants, this nozzle is built into the hydrant in place of the threaded nozzle. The HIHS is a patented product created by Harrington, Inc. to enable hydrant manufacturers to equip their hydrants with Storz, while maintaining the HPHA standards that were developed decades ago. Storz wrench required to remove the cap.

HIHS™ requires the removal of the threaded pumper nozzle for installation.



HIHS™  
WITH CAP

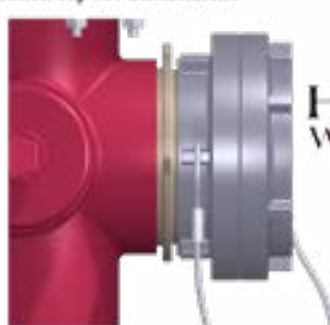


High-torque cap removal prevents unauthorized entry.

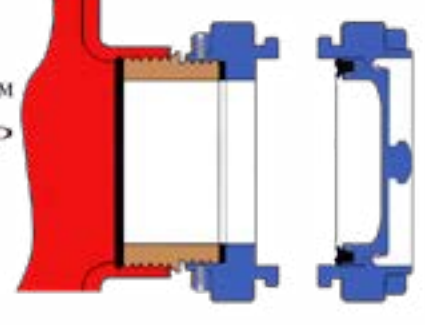
### HPHA™ THREAD-ON: Harrington Permanent Hydrant Adapter™

For retro fitting existing hydrant threads, this adapter is threaded onto the steamer nozzle and secured permanently with two setscrews. The cap will not come off at the hands of vandals. Wrench required.

HPHA™ requires only the removal of the threaded cap for installation.



HPHA™  
WITH CAP



**SPECIFY HARRINGTON HYDRANT STORZ.  
MAKE THE RIGHT CONNECTION!**